



**MONDIALTECH**

Forniture Industriali

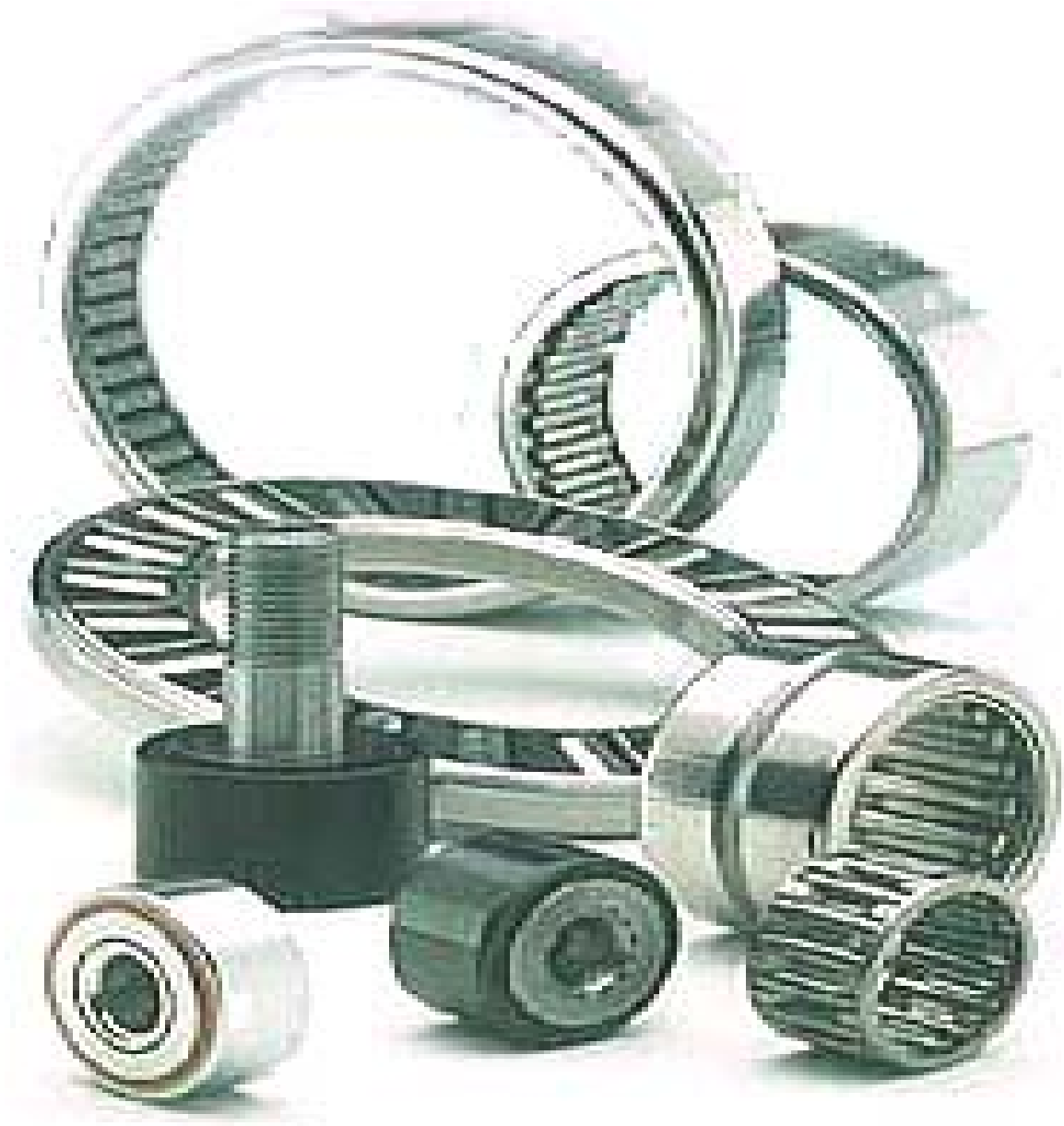
Via Raimondo Dalla Costa 240/b  
41100 MODENA - ITALY  
Tel. +39 059 250090 Fax. +39 059 260083  
Codice R.E.A. 354046  
Partita IVA E Codice Fiscale: 03061810366  
e-Mail: [monditecinfo@mondialtech.net](mailto:monditecinfo@mondialtech.net)  
Web: <http://www.mondialtech.net>

Vasto assortimento di Cuscinetti SKF - FAG

LK  
Supporti & Qualità

CSC  
Cuscinetti Specializzati

MONDIAL  
Cuscinetti a Rulli



*Cuscinetti a Rullini*  
*Needle Roller Bearings*



**MONDIALTECH srl** è un'azienda specializzata nelle soluzioni tecniche per l'industria, con personale specializzato e la più ampia varietà di prodotti finalizzati alle diverse applicazioni garantendone la qualità adeguata alla giusta applicazione.

Dalla esperienza del proprio personale operante da diversi anni nel settore siamo in grado di soddisfare le più svariate necessità della clientela proponendo prodotti che per rapporto qualità/prezzo sono unici sul mercato.

**MONDIALTECH srl** is a company specialized in the technical solution for the industry, with specialist staff and the widest variety than produced finalizes you to the various application guaranteeing some the quality adapted to the just application. From the just personal experience of operating one from various years in the field we are in a position to satisfying the most varied produced necessities of the customers proposing that for relationship quality/price is only on the market.





**MONDIALTECH**  
Forniture Industriali

Via Raimondo Dalla Costa 240/b  
41100 MODENA - ITALY  
Tel. +39 059 250090 Fax. +39 059 260083  
Codice R.E.A. 354046  
Partita IVA E Codice Fiscale: 03061810366  
e-Mail: [mondialtech@mondialtech.net](mailto:mondialtech@mondialtech.net)  
Web: <http://www.mondialtech.net>

Vasto assortimento di Cuscinetti SKF - FAG

**LK**  
Supporto di Qualità

**CSC**  
Cuscinetti Standard

**MONDIAL**  
Cuscinetti a Balli

Grazie a magazzini costantemente riforniti ogni tipologia di prodotto è sempre disponibile in elevata quantità.

Thanks to warehouses constantly resupplied every types of product always available in are elevated amount.





**MONDIALTECH**  
Forniture Industriali

Via Raimondo Dalla Costa 240/b  
41100 MODENA - ITALY  
Tel. +39 059 250090 Fax. +39 059 260083  
Codice R.E.A. 354046  
Partita IVA E. Codice Fiscale: 03061810366  
e-Mail: [mondialinfo@mondialtech.net](mailto:mondialinfo@mondialtech.net)  
Web: <http://www.mondialtech.net>

Vasto assortimento di Cuscinetti SKF - FAG

**LK**  
Supporto di Qualità

**CSC**  
Cuscinetti Specializzati

**MONDIAL**  
Cuscinetti e Balli

La qualità è garantita grazie ad accordi con Aziende produttrici certificate ed ai continui e costanti controlli effettuati da nostri tecnici sempre presenti presso i produttori.

The quality is guaranteed thanks to agreements with Companies certifyd manufacturers and to the continuous and constant controls it carries out to you from our always present technicians near the producers.





## Indice - Index

### Cuscinetti a Rullini – Needle Roller Bearings

#### Astucci a Rullini - Radial Needle Rollers and Cage Assemblies

Astucci a Rullini (K) - Radial Needle Roller And Cage Assemblies (K)

#### Ruote Libere ad Astuccio - Drawn Cup roller Clutch

Ruote Libere ad Astuccio (HF) - Drawn Cup roller Clutch (HF)

Ruote libere ad Astuccio con Cuscinetto assemblato (HFL) -

Drawn Cup roller Clutches with bearing assembly (HFL)

#### Tipo in Pollici - Inch Size

Inch Size Full complement (B-BH – M-MH)

Inch Size (SCE – BCE)

#### Tipo Metrico - Metric Size

Metric Size (sealed) (HK)

Metric Size (HK – BK)

### Anelli Interni - Inner Rings

Anelli Interni (IR) - Inner rings (IR)

### Cuscinetti Assiali - Axial Bearings

811,812,893,894

AXK,AS,LS,GS811,WS811

### Cuscinetti a Rullini - Needle roller Bearings

BR (inch Size)

BRI (inch Size)

NA49..RS,NA49..2RS

NAO

NAV49

NAV40

NK,NKS,RNA49,RNA69

NKI,NKIS,NA49,NA69

RNA49..RS,RNA49..2RS

RNAO

RNAV49

RNAV





### **Rotelle e Perni Folli - Yoke & Stud track roller**

KR,KRV  
LR,LFR  
NAST  
NATR,NATV  
NUKR,NUKRE  
NUTR  
PWKR..2RS  
PWTR  
RNA22..2RS,NA22..2RS  
RSTO,STO

### **Cuscinetti a Rullini Combinati - Combined Needle Roller Bearings**

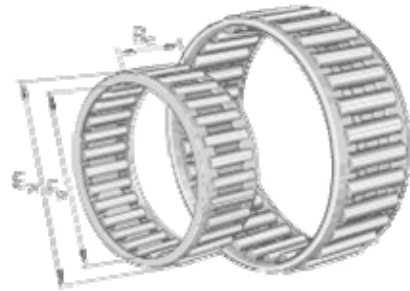
NK1A  
NK1B  
NKX,NKX..Z  
NKXR,NKXR..Z  
NX,NX..Z

### **Cuscinetti assiali a Sfere a contatto obliquo - Axial angular contact ball bearings**

ZARF,ZARF..L  
ZARN,ZARN..L  
ZKLF..2RS,ZKLF..ZZ  
ZKLF..  
ZKLFA..  
ZKLN..2RS PE



## Astucci a Rullini Needle roller and cage assemblies



Diam.Albero Shaft Diameter	Cuscinetto No. Bearing No	Dimensioni - Dimensions			Basic Load Ratings		Limiting Speed
		F w	E w	B c	C	Co	Oil
		mm			N		rpm
5	K5X8X8	5	8	8	2300	1880	37000
	K5X8X10	5	8	10	2800	2450	37000
6	K6X9X8	6	9	8	2560	2240	35000
	K6X9X10	6	9	10	3300	3100	35000
	K6X10X13	6	10	13	3500	2800	33000
7	K7X10X8	7	10	8	2750	2550	32000
	K7X10X10	7	10	10	3350	3400	32000
8	K8X11X8	8	11	8	3000	2900	30000
	K8X11X10	8	11	10	3830	3950	30000
	K8X11X13	8	11	13	5000	5700	30000
	K8X12X10	8	12	10	4900	4600	30000
9	K9X12X10	9	12	10	4200	4700	30000
	K9X12X13	9	12	13	5500	6700	30000
10	K10X13X10	10	13	10	4500	5250	27000
	K10X13X13	10	13	13	6000	7600	27000
	K10X13X16	10	13	16	6300	7800	27000
	K10X14X10	10	14	10	7000	7900	27000
	K10X14X13	10	14	13	8000	9100	26000
	K10X16X12	10	16	12	7000	9300	27000
12	K12X15X9	12	15	9	4120	5210	25000
	K12X15X10	12	15	10	4320	5730	25000
	K12X15X13	12	15	13	6000	8100	25000
	K12X16X8	12	16	8	4200	4700	25000
	K12X16X10	12	16	10	6000	6900	25000
	K12X16X13	12	16	13	7900	9200	25000
	K12X17X13	12	17	13	9300	10000	24000
	K12X18X12	12	18	12	9800	8000	24000
14	K14X17X10	14	17	10	5100	6800	23000
	K14X17X17	14	17	17	9300	14000	23000
	K14X18X10	14	18	10	6800	8300	23000
	K14X18X13	14	18	13	8100	9800	23000



# MONDIALTECH

Forniture Industriali

Via Raimondo Dalla Costa 240/b  
 41100 MODENA - ITALY  
 Tel. +39 059 250090 Fax. +39 059 260083  
 Codice R.E.A. 354046  
 Partita IVA E. Codice Fiscale: 03661810366  
 e-Mail: [monditecinfo@mondialtech.net](mailto:monditecinfo@mondialtech.net)  
 Web: <http://www.mondialtech.net>



Vasto assortimento di Cuscinetti SKF - FAG

Diam. Albero Shaft Diameter	Cuscinetto No. Bearing No	Dimensioni - Dimensions			Basic Load Ratings		Limiting Speed
		F w	E w	B c	C	Co	Oil
		mm			N		rpm
14	K14X18X14	14	18	14	9200	12000	23000
	K14X18X15	14	18	15	10000	13000	23000
	K14X18X17	14	18	17	10500	13900	23000
	K14X20X12	14	20	12	9900	10500	22000
15	K15X18X14	15	18	14	7500	11000	23000
	K15X18X17	15	18	17	9600	15900	23000
	K15X19X10	15	19	10	7200	9000	22000
	K15X19X13	15	19	13	8300	9800	22000
	K15X19X17	15	19	17	10300	15000	22000
	K15X19X24	15	19	24	12800	20100	22000
	K15X19X13	15	20	13	9700	11000	22000
	K15X21X12	15	21	12	10000	13000	22000
	K15X21X15	15	21	15	13800	16000	22000
16	K15X21X21	15	21	21	18000	24000	22000
	K16X20X10	16	20	10	7600	9700	22000
	K16X20X13	16	20	13	8700	11300	22000
	K16X20X17	16	20	17	11200	16300	22000
	K16X21X10	16	21	10	9000	12000	22000
	K16X22X12	16	22	12	11000	12000	21000
	K16X22X13	16	22	13	12000	13400	21000
	K16X22X16	16	22	16	14300	17000	21000
	K16X22X20	16	22	20	18000	22300	21000
17	K16X23X14	16	23	14	19000	21000	19000
	K16X24X20	16	24	20	21100	23000	20000
	K17X21X10	17	21	10	7900	10100	21000
	K17X21X13	17	21	13	10000	14100	21000
18	K17X21X17	17	21	17	12000	17400	21000
	K17X23X14	17	23	14	11000	15000	21000
	K18X22X10	18	22	10	8200	9900	20000
	K18X22X13	18	22	13	9000	12100	20000
19	K18X22X17	18	22	17	11900	17600	20000
	K18X24X12	18	24	12	11200	12900	20000
	K18X24X13	18	24	13	12900	14900	20000
	K18X24X13.5	18	24	13.5	12900	14900	20000
	K18X24X20	18	24	20	20000	26500	20000
	K18X25X14	18	25	14	16500	18800	20000
	K18X25X22	18	25	22	22900	28400	20000
	K18X26X14	18	26	14	18000	20000	18000
	K18X28X16	18	28	16	19000	18400	19000
20	K19X23X13	19	23	13	9300	13000	20000
	K19X23X17	19	23	17	12000	18600	20000
20	K20X24X10	20	24	10	8700	12100	19000
	K20X24X12	20	24	12	9600	13800	19000





# MONDIALTECH

Forniture Industriali

Via Raimondo Dalla Costa 240/b  
 41100 MODENA - ITALY  
 Tel. +39 059 256090 Fax: +39 059 260883  
 Codice R.E.A. 354046  
 Partita IVA E. Codice Fiscale: 03661810366  
 e-Mail: [monditecinfo@mondialtech.net](mailto:monditecinfo@mondialtech.net)  
 Web: <http://www.mondialtech.net>



Vasto assortimento di Cuscinetti SKF - FAG

Diam. Albero Shaft Diameter	Cuscinetto No. Bearing No	Dimensioni - Dimensions			Basic Load Ratings		Limiting Speed
		F w	E w	B c	C	Co	Oil
		mm			N		rpm
	K20X24X13	20	24	13	9600	13800	19000
	K20X24X17	20	24	17	12400	20000	19000
	K20X26X12	20	26	12	13100	15700	19000
20	K20X26X16	20	26	16	18000	25000	18500
	K20X26X17	20	26	17	18700	25500	19000
	K20X26X20	20	26	20	20600	28500	19000
	K20X28X20	20	28	20	23400	28000	18000
	K20X28X25	20	28	25	3000	28500	18000
	K20X30X30	20	30	30	35000	41000	18000
	21	K21X25X13	21	25	13	9600	14500
K21X25X17		21	25	17	12800	21000	19000
22	K22X26X10	22	26	10	8700	12900	18000
	K22X26X13	22	26	13	10000	15400	18000
	K22X26X17	22	26	17	13100	22100	18000
	K22X27X13	22	27	13	14000	23000	18000
	K22X28X17	22	28	17	19000	26500	18000
	K22X28X23	22	28	23	20000	27000	19000
	K22X29X16	22	29	16	19500	25000	17000
	K22X30X15 TN	22	30	15	19600	22900	17000
	K22X30X20	22	30	20	21000	23500	18900
23	K22X32X24	22	32	24	33500	39500	16000
	K23X35X16 TN	23	35	16	24000	23400	15000
24	K24X28X10	24	28	10	9400	14300	17000
	K24X28X13	24	28	13	10500	17000	17000
	K24X28X17	24	28	17	14000	24500	17000
	K24X29X13	24	29	13	13100	19100	16000
	K24X30X17	24	30	17	19000	27000	16000
	K24X30X31	24	30	31	27000	43000	16000
25	K25X29X10	25	29	10	9700	14900	16000
	K25X29X13	25	29	13	10800	17900	16000
	K25X29X17	25	29	17	14500	25500	16000
	K25X30X13	25	30	13	14100	21300	16000
	K25X30X20	25	30	20	21100	28000	16000
	K25X30X25	25	30	25	21700	40400	15000
	K25X30X26	25	30	26	20100	26500	15000
	K25X31X17	25	31	17	79000	28000	16000
	K25X31X21	25	31	21	24100	37500	16000
	K25X32X16	25	32	16	20500	27500	15000
	K25X33X20	25	33	20	28000	37500	15000
	K25X33X24	25	33	24	33900	46500	15000
	K25X34X18	25	34	18	48000	67000	15000
	K25X35X30	25	35	30	46500	61500	14000
K25X30X26	25	30	26	21000	35000	14000	



# MONDIALTECH

Forniture Industriali

Via Raimondo Dalla Costa 240/b  
 41100 MODENA - ITALY  
 Tel. +39 059 250090 Fax. +39 059 260083  
 Codice R.E.A. 354046  
 Partita IVA E. Codice Fiscale: 03061810366  
 e-Mail: [monditecinfo@mondialtech.net](mailto:monditecinfo@mondialtech.net)  
 Web: <http://www.mondialtech.net>



Vasto assortimento di Cuscinetti SKF - FAG

Diam. Albero Shaft Diameter	Cuscinetto No. Bearing No	Dimensioni - Dimensions			Basic Load Ratings		Limiting Speed
		F w	E w	B c	C	Co	Oil
		mm			N		rpm
26	K26X30X10	26	30	10	9500	15500	16000
	K26X30X13	26	30	13	11100	18700	16000
	K26X30X17	26	30	17	14700	27000	16000
	K26X31X13	26	31	13	12400	18400	15000
	K26X30X22	26	30	22	15200	28000	16000
27	K27X32X17	27	32	27	16000	34000	17000
28	K28X32X16.5	28	32	16.5	15000	34000	14000
	K28X32X17	28	32	17	15000	32400	14000
	K28X33X13	28	33	13	14800	32400	14000
	K28X33X17	28	33	17	19100	23600	14000
	K28X33X27 TN	28	33	27	22800	33000	14000
	K28X34X17	28	34	17	21300	40500	14000
	K28X35X16	28	35	16	21000	35000	14000
	K28X35X18	28	35	18	23500	29000	14000
	K28X35X20	28	35	20	24000	33500	14000
	K28X35X27	28	35	27	34500	34000	14000
	K28X36X16	28	36	16	34000	54500	11000
	K28X40X18	28	40	18	33000	47000	12000
K28X40X25	28	40	25	45000	36500	12000	
30	K30X34X13	30	34	13	11800	54500	13000
	K30X35X13	30	35	13	15100	21200	13000
	K30X35X17	30	35	17	19100	25000	13000
	K30X35X27	30	35	27	30000	33500	13000
	K30X37X16	30	37	16	22500	58500	13000
	K30X38X25	30	38	25	16000	33000	13000
	K30X40X18	30	40	18	31500	39000	12000
	K30X40X30	30	40	30	48500	39500	13000
	K30X35X26	30	35	26	23500	68500	12000
32	K32X37X13	32	37	13	15000	43500	12000
	K32X37X17	32	37	17	19400	25000	12000
	K32X37X27	32	37	27	29500	59500	12000
	K32X37X28 TN	32	37	28	23100	43000	12000
	K32X38X16	32	38	16	21000	34000	12000
	K32X38X20	32	38	20	26000	44500	12000
	K32X38X26 TN	32	38	26	27000	46500	12000
	K32X39X16	32	39	16	23500	35000	12000
	K32X39X18	32	39	18	26000	40500	12000
	K32X40X20	32	40	20	37000	40500	12000
32	K32X40X36	32	40	36	53500	91500	12000
	K32X46X32	32	46	32	65500	82500	11000
	K32X40X42 TN	32	40	42	49500	83500	12000
35	K35X40X13	35	40	13	15800	27500	11000
	K35X40X17	35	40	17	20300	38000	11000



# MONDIALTECH

Forniture Industriali

Via Raimondo Dalla Costa 240/b  
 41100 MODENA - ITALY  
 Tel. +39 059 256090 Fax: +39 059 260883  
 Codice R.E.A. 354046  
 Partita IVA E. Codice Fiscale: 03661810366  
 e-Mail: [monditecinfo@mondialtech.net](mailto:monditecinfo@mondialtech.net)  
 Web: <http://www.mondialtech.net>



Vasto assortimento di Cuscinetti SKF - FAG

Diam. Albero Shaft Diameter	Cuscinetto No. Bearing No	Dimensioni - Dimensions			Basic Load Ratings		Limiting Speed
		F w	E w	B c	C	Co	Oil
mm		mm			N		rpm
35	K35X40X25	35	40	25	29000	59500	11000
	K35X40X27 TN	35	40	27	24500	48000	11000
	K35X40X27	35	40	27	27800	62100	11000
	K35X40X30	35	40	30	25000	49500	11000
	K35X42X16	35	42	16	23900	37000	11000
	K35X42X18	35	42	18	27000	42500	11000
	K35X42X30	35	42	30	38500	67500	11000
	K35X43X18	35	43	18	28000	41500	11000
	K35X45X20	35	45	20	36500	49500	10000
	K35X45X30	35	45	30	52500	78500	10000
	K35X45X49	35	45	49	81500	13400	10000
	K35X40X30	35	40	30	31500	65500	11000
K35X42X20	35	42	20	29500	48500	11000	
36	K36X41X30	36	41	30	23000	43000	11000
	K36X42X16	36	42	16	24000	42000	11000
37	K37X42X17	37	42	17	21900	42500	10000
	K37X42X27	37	42	27	31500	67500	10000
	K37X45X26	37	45	26	43500	73500	10000
38	K38X43X17	38	43	17	20000	38000	10000
	K38X43X27	38	43	27	31000	67500	10000
	K38X46X20	38	46	20	35000	56500	10000
	K38X46X32	38	46	32	54500	98500	10000
39	K39X44X24	39	44	24	28000	58500	10000
	K39X44X26	39	44	26	27000	55500	10000
40	K40X44X13	40	44	13	13500	28000	10000
	K40X45X13	40	45	13	17100	32000	10000
	K40X45X17	40	45	17	20900	41000	10000
	K40X45X21	40	45	21	24400	49500	10000
	K40X45X27	40	45	27	32500	72500	10000
	K40X46X17	40	46	17	24500	44500	9000
	K40X47X18	40	47	18	29000	49500	9000
	K40X47X20	40	47	20	32000	56500	9000
	K40X48X20	40	48	20	35500	58500	9000
42	K40X45X30	40	45	30	26000	53500	9000
	K42X47X13	42	47	13	17300	33000	9000
	K42X47X17	42	47	17	21100	42500	9000
	K42X47X25 TN	42	47	25	27000	57500	9000
	K42X47X27	42	47	27	33000	74500	9000
	K42X48X35	42	48	35	35000	76000	9000
	K42X50X18	42	50	18	31000	49500	9000
	K42X50X20	42	50	20	34500	56500	9000
43	K42X47X30	42	47	30	31000	75500	9000
	K43X48X17	43	48	17	21000	42500	9000



# MONDIALTECH

Forniture Industriali

Via Raimondo Dalla Costa 240/b  
 41100 MODENA - ITALY  
 Tel. +39 059 256090 Fax: +39 059 260083  
 Codice R.E.A. 354046  
 Partita IVA E. Codice Fiscale: 03661810366  
 e-Mail: [monditecinfo@mondialtech.net](mailto:monditecinfo@mondialtech.net)  
 Web: <http://www.mondialtech.net>



Vasto assortimento di Cuscinetti SKF - FAG

Diam.Albero Shaft Diameter	Cuscinetto No. Bearing No	Dimensioni - Dimensions			Basic Load Ratings		Limiting Speed
		F w	E w	B c	C	Co	
mm		mm			N		rpm
43	K43X48X27	43	48	27	33000	74500	9000
	K43X50X18	43	50	18	30500	53500	9000
45	K45X49X19	45	49	19	17500	4000	8000
	K45X50X17	45	50	17	22000	45000	8000
	K45X50X27	45	50	27	34000	79500	8000
	K45X50X32 TN	45	50	32	38000	90500	8000
	K45X52X18	45	52	18	31000	56500	8000
	K45X52X21 TN	45	52	21	39500	57500	8000
	K45X53X20	45	53	20	38500	66500	8000
	K45X53X21	45	53	21	38000	66500	8000
	K45X53X22	45	53	22	42000	66500	8000
	K45X53X28	45	53	28	51500	97500	8000
	K45X59X18 TN	45	59	18	43500	53500	7000
	K45X59X32	45	59	32	72500	101500	7000
	K45X59X36	45	59	36	75500	108500	7000
K45X51X36	45	51	36	44500	98500	7000	
47	K47X51X36	47	52	17	22800	48500	8000
	K47X52X17	47	52	27	34500	82500	8000
	K47X53X25	47	53	25	38000	81500	8000
	K47X55X28	47	55	28	52500	99500	7500
48	K48X54X19	48	54	19	30000	60500	7500
	K48X54X25	48	54	25	31000	91000	7500
50	K50X55X13.5	50	55	13.5	17500	36000	7500
	K50X55X17	50	55	17	21400	46500	7500
50	K50X55X20	50	55	20	26000	59500	7500
	K50X55X30	50	55	30	38500	96500	7500
	K50X57X18	50	57	18	33000	62500	7000
	K50X58X20	50	58	20	35000	61500	7000
	K50X58X25	50	58	25	43500	80500	7000
52	K52X57X12	52	57	12	17500	36000	7000
55	K55X60X20	55	60	20	28000	65500	6500
	K55X60X27	55	60	27	37500	96500	6500
	K55X60X30	55	60	30	40500	10300	6500
	K55X61X20	55	61	20	41000	11000	6500
	K55X62X18	55	62	18	35000	68500	6500
	K55X63X15	55	63	15	24500	40500	6500
	K55X63X20	55	63	20	39500	79500	6500
	K55X63X25	55	63	25	49500	99500	6500
	K55X63X32	55	63	32	61500	129500	6500
K55X60X40	55	60	40	48000	132000	6500	
56	K56X61X20	56	61	20	27000	64500	6500
58	K58X63X17	58	63	17	21500	63500	6000
	K58X64X19	58	64	19	24500	77500	6000



# MONDIALTECH

Forniture Industriali

Via Raimondo Dalla Costa 240/b  
 41100 MODENA - ITALY  
 Tel. +39 059 256090 Fax. +39 059 260883  
 Codice R.E.A. 354046  
 Partita IVA E. Codice Fiscale: 03061810366  
 e-Mail: [monditecinfo@mondialtech.net](mailto:monditecinfo@mondialtech.net)  
 Web: <http://www.mondialtech.net>



Vasto assortimento di Cuscinetti SKF - FAG

Diam. Albero Shaft Diameter	Cuscinetto No. Bearing No	Dimensioni - Dimensions			Basic Load Ratings		Limiting Speed
		F w	E w	B c	C	Co	
mm		mm			N		rpm
58	K58X65X18	58	65	18	34500	69500	6000
	K58X65X38	58	65	38	48500	106500	6000
60	K60X65X20	60	65	20	29000	71500	6000
	K60X65X30	60	65	30	42000	115500	6000
	K60X68X20	60	68	20	43000	84500	5500
	K60X68X23	60	68	23	49000	100500	5500
	K60X68X25	60	68	25	52500	110500	5500
	K60X68X27	60	68	27	59000	120500	6000
	K60X75X42	60	75	42	11300	19200	5500
	K60X66X33	60	66	33	45500	111500	6000
	K60X66X40	60	66	40	57500	150500	5500
	K60X68X30	60	68	30	44000	87500	5500
K60X68X34	60	68	34	47500	95500	5500	
62	K62X70X40	62	70	40	65500	145500	5500
63	K63X70X21	63	70	21	45000	100500	5500
64	K64X70X16	64	70	16	27500	59500	5500
65	K65X70X20	65	70	20	30000	76500	5500
	K65X70X30	65	70	30	43500	123500	5500
	K65X73X23	65	73	23	45500	93500	5000
	K65X73X30	65	73	30	56500	122500	5000
68	K68X74X20	68	74	20	35000	83500	5000
	K68X74X30	68	74	30	46000	117500	5000
	K68X74X35	68	74	35	48000	124500	5000
	K68X75X32	68	75	32	53500	127500	4500
70	K70X76X20	70	76	20	35500	85500	4500
	K70X76X30	70	76	30	51500	138500	4500
	K70X78X25	70	78	25	51500	111500	4500
	K70X78X30	70	78	30	59500	134500	4500
	K70X80X30	70	80	30	72500	147500	4500
	K70X78X46	70	78	46	77500	18800	4500
72	K72X80X20	72	80	20	41000	84500	4500
73	K73X79X20	73	79	20	36500	99500	4500
75	K75X81X20	75	81	20	37000	93500	4500
	K75X81X30	75	81	30	51500	142000	4500
	K75X83X23	75	83	23	49500	108000	4000
	K75X83X30	75	83	30	61500	142000	4000
	K75X83X35	75	83	35	62500	146500	4000
	K75X83X40	75	83	40	72500	176500	4000
80	K80X86X20	80	86	20	38000	97500	4000
	K80X86X30	80	86	30	55500	158500	4000
	K80X88X30	80	88	30	71500	178500	4000
	K80X88X40	80	88	40	75500	191500	4000
	K80X88X46	80	88	46	87500	23000	4000

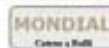


# MONDIALTECH

Forniture Industriali

Via Raimondo Dalla Costa 240/b  
 41100 MODENA - ITALY  
 Tel. +39 059 250090 Fax: +39 059 260083  
 Codice R.E.A. 354046  
 Partita IVA E Codice Fiscale: 03061810366  
 e-Mail: [monditecinfo@mondialtech.net](mailto:monditecinfo@mondialtech.net)  
 Web: <http://www.mondialtech.net>

Vasto assortimento di Cuscinetti SKF - FAG



Diam. Albero Shaft Diameter	Cuscinetto No. Bearing No	Dimensioni - Dimensions			Basic Load Ratings		Limiting Speed
		F w	E w	B c	C	Co	Oil
		mm			N		rpm
85	K85X92X20	85	92	20	44000	107500	3500
90	K90X97X20	90	87	20	445000	112500	3000
	K90X98X27	90	98	27	60500	149500	3000
	K90X98X30	90	98	30	67500	171500	3000
95	K95X102X20	95	102	20	45500	122500	2900
	K95X103X30	95	103	30	68500	179500	2900
	K95X103X40	95	103	40	82500	227500	2900
100	K100X107X21	100	107	21	47500	126500	2700
	K100X108X27	100	108	27	65600	142500	2700
	K100X108X30	100	108	30	70500	187500	2700
105	K105X112X21	105	112	21	47000	126500	2500
	K105X113X30	105	113	30	71500	196500	2500
110	K110X117X24	110	117	24	55500	157500	2300
	K110X118X30	110	118	30	77500	218500	2300





**MONDIALTECH**

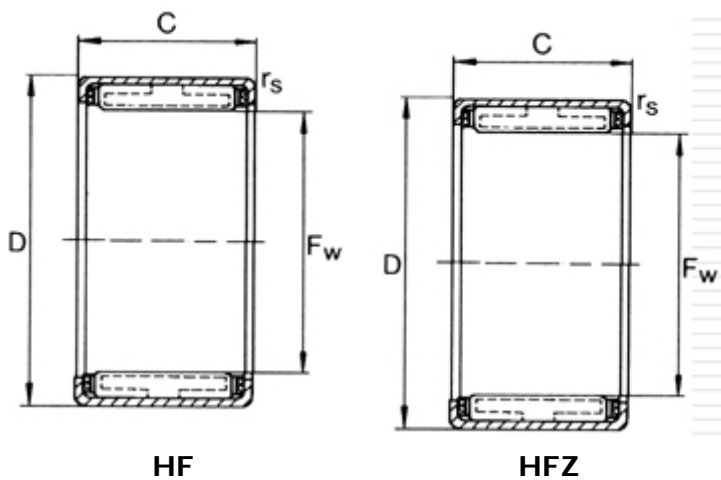
Forniture Industriali

Via Raimondo Dalla Costa 240/b  
 41100 MODENA - ITALY  
 Tel. +39 059 250090 Fax: +39 059 260083  
 Codice R.E.A. 354046  
 Partita IVA E. Codice Fiscale: 03061810366  
 e-Mail: [mondialtech@mondialtech.net](mailto:mondialtech@mondialtech.net)  
 Web: <http://www.mondialtech.net>

Vasto assortimento di Cuscinetti SKF - FAG



**Ruote Libere ad Astuccio**  
**Drawn cup needle clutch**



Diam.Albero Shaft Diameter mm	Cuscinetto No. Bearing No.	Dimensioni - Dimension			Momento Torcente Rotation torque Nm	Limiting Speed		Astucci a Rullini utilizzabili come Cuscinetti Radiali Suitable drawn cup needle roller bearings for radial support
		F w	D	C		n	nl	
			mm			rpm		
4	HF0406	4	8	6	0.34	34000	14000	HK0408TN
6	HF0612	6	10	12	1.76	23000	13000	HK0608
8	HF0812	8	12	12	3.15	17000	12000	HK0810
10	HF1012	10	14	12	5.3	14000	11000	HK1010
12	HF1216	12	18	16	12.2	11000	8000	HK1212
14	HF1416	14	20	16	17.3	9500	8000	HK1412
16	HF1612	16	22	16	20.5	8500	7500	HK1612
18	HF1816	18	24	16	24.1	7500	7500	HK1812
20	HF2016	20	26	16	28.5	7000	6500	HK2012
25	HF2520	25	32	20	66	5500	5500	HK2512
30	HF3020	30	37	20	90	4500	4500	HK3012
35	HF3520	35	42	20	121	3900	3900	HK3512
1/4	HFZ040708	6.35	11.113	12.7	18.6	21000	12000	SCE44
3/8	HFZ061008	9.525	15.875	12.7	50.4	14000	12000	SCE68
1/2	HFZ081208	12.7	19.05	12.7	85.9	11000	9000	SCE87
5/8	HFZ101410	15.875	22.225	15.88	175.2	8500	5000	SCE108
3/4	HFZ121610	19.05	25.4	15.88	247.8	7000	4400	SCE126



**MONDIALTECH**

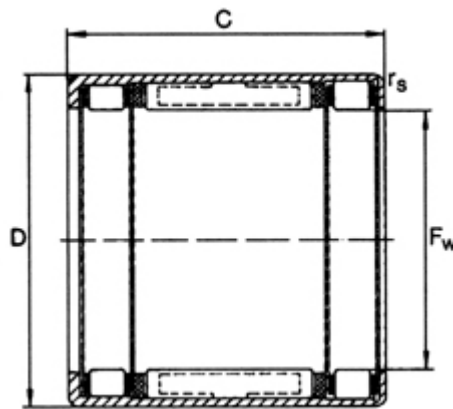
Forniture Industriali

Via Raimondo Dalla Costa 240/b  
41100 MODENA - ITALY  
Tel. +39 059 250090 Fax. +39 059 260083  
Codice R.E.A. 354046  
Partita IVA E. Codice Fiscale: 03061810366  
e-Mail: [mondialtech@mondialtech.net](mailto:mondialtech@mondialtech.net)  
Web: <http://www.mondialtech.net>

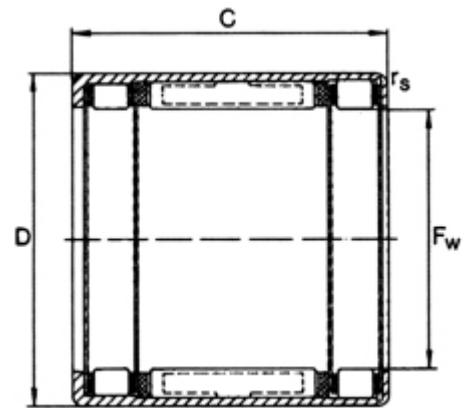
Vasto assortimento di Cuscinetti SKF - FAG



**Ruote Libere ad  
Astuccio con Cuscinetto  
assemblato  
Drawn cup needle  
clutch and bearing  
assembly**



**HFL**



**HFLZ**

Diam.Albero Shaft Diameter mm	Cuscinetto No. Bearing No.	Dimensioni - Dimension			Momento Torcente Rotation torque Nm	Limiting Speed		Basic Load Ratings	
		F w	D	C		n	nl	C	Co
			mm			rpm		N	
4	HFL0408	4	8	8	0.34	34000	14000	1270	1740
6	HFL0615	6	10	15	1.76	23000	13000	1650	2030
8	HFL0822	8	12	2	3.15	17000	12000	4050	4150
10	HFL1022	10	14	22	5.3	14000	11000	4300	4650
12	HFL1226	12	18	26	12.2	11000	8000	6300	6500
14	HFL1426	14	20	26	17.3	9500	8000	6300	6500
16	HFL1626	16	22	26	20.5	8500	7500	7300	8400
18	HFL1826	18	24	26	24.1	7500	7500	8200	10300
20	HFL2026	20	26	26	28.5	7000	6500	8300	10400
25	HFL2530	25	32	30	66	5500	5500	10900	14100
30	HFL3030	30	37	30	90	4500	4500	12600	17600
35	HFL3530	35	42	30	121	3900	3900	13000	19300
3/8	HFLZ061014	9.525	15.875	22.22	50.4	14000	12000	1315	1240
1/2	HFLZ081214	12.7	19.05	22.22	85.9	11000	9000	1720	1550
5/8	HFLZ101416	15.875	22.225	25.4	175.2	8500	5000	1720	1890



**MONDIALTECH**

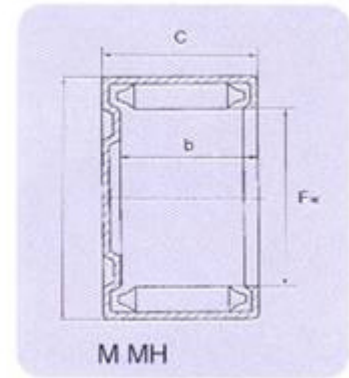
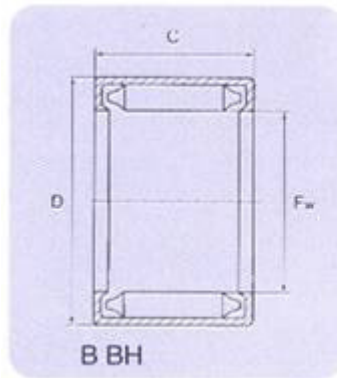
Forniture Industriali

Via Raimondo Dalla Costa 240/b  
41100 MODENA - ITALY  
Tel. +39 059 250090 Fax. +39 059 260083  
Codice R.E.A. 354046  
Partita IVA E. Codice Fiscale: 03061810366  
e-Mail: [monditecinfo@mondialtech.net](mailto:monditecinfo@mondialtech.net)  
Web: <http://www.mondialtech.net>

Vasto assortimento di Cuscinetti SKF - FAG



**Astucci a Rullini in Pollici a pieno Riempimento  
Inch size full complement**



Diam.Albero Shaft Diameter	Cuscinetto No.- Bearing No.		Dimensioni - Dimension			Basic Load Rating		Limiting Speed
	Open end	Closed end	Fw	D	C	Cr	Cor	Oil
mm			mm			N		rpm
6.35	B-44	M-441	6.35	11.11	6.35	566	531	10000
	B-45	M-451	6.35	11.11	7.92	768	786	10000
	B-47	M-471	6.35	11.11	11.13	1210	1410	10000
7.94	B-55	M-551	7.94	12.7	7.92	883	985	8300
	B-56	-	7.94	12.7	9.52	1140	1370	8300
	B-57	M-571	7.94	12.7	11.13	1390	1770	8300
	B-59	-	7.94	12.7	14.27	1850	2550	8300
	BH-57	-	7.94	14.29	11.13	1530	1590	11000
9.52	BH-59	-	7.94	14.29	14.27	2080	2340	11000
	B-65	M-651	9.52	14.29	7.92	984	1180	7100
	B-610	M-6101	9.52	14.29	15.88	2310	3530	7100
11.11	BH-68	-	9.52	15.88	12.7	2050	2380	9400
	B-76	-	11.11	15.88	9.52	1390	1930	6300
	B-710	-	11.11	15.88	15.88	2520	4130	6300
12.7	BH-78	-	11.11	17.46	12.7	2260	2780	8300
	B-85	-	12.7	17.46	7.92	1160	1580	5500
	B-810	M-8101	12.7	17.46	15.88	2720	4720	5500
	BH-87	-	12.7	19.05	11.13	2060	2550	7500
14.29	BH-810	-	12.7	19.05	15.88	3180	4440	7500
	B-95	M-951	14.29	19.05	7.92	1240	1780	5000
	B-910	-	14.29	19.05	15.88	2900	5310	5000
	BH-98	-	14.29	20.64	12.7	2630	3580	6800
15.88	BH-912	-	14.29	20.64	19.05	4130	6410	6800
	B-105	-	15.88	20.64	7.92	1310	1980	4500
	B-1010	-	15.88	20.64	15.88	3070	5900	4500
	BH-108	MH-1081	15.88	22.22	12.7	2790	3980	6200
	BH-1012	-	15.88	22.22	19.05	4390	7130	6200



# MONDIALTECH

Forniture Industriali

Via Raimondo Dalla Costa 240/b  
 41100 MODENA - ITALY  
 Tel. +39 059 250090 Fax: +39 059 260083  
 Codice R.E.A. 354046  
 Partita IVA E. Codice Fiscale: 03061810366  
 e-Mail: [monditecinfo@mondialtech.net](mailto:monditecinfo@mondialtech.net)  
 Web: <http://www.mondialtech.net>



Vasto assortimento di Cuscinetti SKF - FAG

Diam. Albero Shaft Diameter	Cuscinetto No. - Bearing No.		Dimensioni - Dimension			Basic Load Rating		Limiting Speed
	Open end	Closed end	Fw	D	C	Cr	Cor	Oil
mm			mm			N		rpm
17.46	B-116	-	17.46	22.22	9.52	1790	3030	4200
	B-1110	M-11101	17.46	22.22	15.88	3230	6500	4200
	BH-1110	MH-11101	17.46	23.81	15.88	3820	6110	5700
19.05	B-126	-	19.05	25.4	9.52	2100	2900	5500
	B-1210	M-12101	19.05	25.4	15.88	4010	6670	5500
20.64	B-136	-	20.64	26.99	9.52	2190	3140	5200
	B-1314	-	20.64	26.99	22.22	5940	11300	5200
	BH-1310	-	20.64	28.58	15.88	4320	6510	6200
22.22	B-146	-	22.22	28.58	9.52	2280	3380	4800
	B-1412	M-14121	22.22	28.58	19.05	5300	9990	4800
	BH-1410	-	22.22	30.16	15.88	4470	7030	5880
	BH-1412	-	22.22	30.16	19.05	5530	9230	5880
23.81	B-158	-	23.81	30.16	12.7	3500	5990	4500
	B-1516	M-15161	23.81	30.16	25.4	7300	15400	4500
25.4	B-166	-	25.4	31.75	9.52	2450	3870	4300
	B-1610	-	25.4	31.75	15.88	4690	8910	4300
	BH-168	MH-1681	25.4	33.34	12.7	3600	5500	5200
	BH-1612	MH-16121	25.4	33.34	19.05	5970	10500	5200
	BH-1620	-	25.4	33.34	31.75	10100	20600	5200
28.58	B-186	-	28.58	34.92	9.52	2610	4350	3800
	BH-1812	-	28.58	38.1	19.05	6920	11500	5500
	BH-1816	-	28.58	38.1	25.4	9420	17100	5500
31.75	B-208	-	31.75	38.1	12.7	4080	7990	3500
	B-2016	M-20161	31.75	38.1	25.4	8150	20600	3500
	BH-2012	-	31.75	41.28	19.05	7250	12700	5000
	BH-2016	MH-20161	31.75	41.28	25.4	9910	19000	5000
33.34	B-218	-	33.34	41.28	12.7	4180	7220	4000
	B-2120	-	33.34	41.28	31.75	11700	27200	4000
34.92	B-228	-	34.92	41.28	12.7	4280	8790	3200
	B-2216	-	34.92	41.28	25.4	8950	22700	3200
	BH-2210	-	34.92	44.45	15.88	6240	10600	4700
	BH-2216	-	34.92	44.45	25.4	10600	20900	4700
38.1	B-248	-	38.1	47.62	12.7	4780	7830	4300
	B-2412	-	38.1	47.62	19.05	8090	15400	4300
	B-2416	M-24161	38.1	47.62	25.4	11000	22800	4300
41.28	B-268	-	41.28	50.8	12.7	4920	8390	3900
	B-2616	-	41.28	50.8	25.4	11400	24800	3900
44.45	B-2812	-	44.45	53.98	19.05	8660	17900	3700
	B-2824	-	44.45	53.98	38.1	17600	44300	3700
47.62	B-308	-	47.62	57.15	12.7	5380	9790	3500
	B-3016	-	47.62	57.15	25.4	12400	28600	3500
50.8	B-328	-	50.8	60.32	12.7	5490	10300	3300
	B-3220	-	50.8	60.32	31.75	15900	40600	3300



**MONDIALTECH**

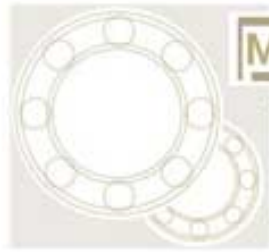
Forniture Industriali

Via Raimondo Dalla Costa 240/b  
 41100 MODENA - ITALY  
 Tel. +39 059 256090 Fax+ 39 059 260883  
 Codice R.E.A. 354046  
 Partita IVA E. Codice Fiscale: 03061810366  
 e-Mail: [monditecinfo@mondialtech.net](mailto:monditecinfo@mondialtech.net)  
 Web: <http://www.mondialtech.net>



Vasto assortimento di Cuscinetti SKF - FAG

Diam.Albero Shaft Diameter	Cuscinetto No.- Bearing No.		Dimensioni - Dimension			Basic Load Rating		Limiting Speed
	Open end	Closed end	Fw	D	C	Cr	Cor	Oil
mm			mm			N		rpm
52.39	BH-3312	-	52.39	64.29	19.05	10100	19000	4000
	BH-3316	-	52.39	64.29	25.4	14200	29400	4000
53.98	B-348	-	53.98	63.5	12.7	5650	11000	3100



**MONDIALTECH**

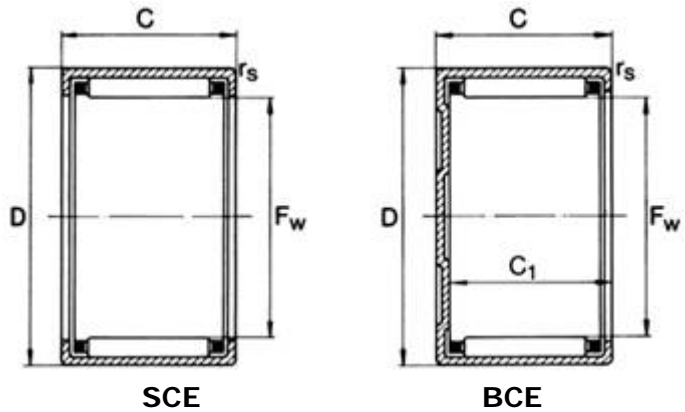
Forniture Industriali

Via Raimondo Dalla Costa 240/b  
41100 MODENA - ITALY  
Tel. +39 059 250090 Fax. +39 059 260083  
Codice R.E.A. 354046  
Partita IVA E Codice Fiscale: 03061810366  
e-Mail: [monditecinfo@mondialtech.net](mailto:monditecinfo@mondialtech.net)  
Web: <http://www.mondialtech.net>

Vasto assortimento di Cuscinetti SKF - FAG



**Astucci a Rullini in pollici  
Inch Size**



Diam.Albero Shaft Diameter mm	Cuscinetto No. Bearing No.		Dimensioni - Dimension			Basic Load Ratings		Limiting Speed Oil rpm
	SCE	BCE	F w	D	C	C	Co	
6.35	SCE44	BCE44	6.35	11.112	6.35	1602	1157	35000
	SCE45	BCE45	6.35	11.112	7.94	2536	2092	35000
7.938	SCE55	BCE55	7.938	12.7	7.94	2892	2625	29000
9.525	SCE65	BCE65	9.525	14.288	7.94	2892	2417	25000
	SCE67	BCE67	9.525	14.288	11.11	4361	4583	25000
12.7	SCE87	BCE87	12.7	17.462	11.11	5918	7387	19000
	SCE88	BCE88	12.7	17.462	12.7	6897	9033	19000
	SCE810	BCE810	12.7	17.462	15.88	8811	12237	19000
14.288	SCE95	BCE95	14.288	19.05	7.94	4049	4717	18000
	SCE96	BCE96	14.288	19.05	9.52	5162	6408	18000
	SCE98	BCE98	14.288	19.05	12.7	7698	10769	18000
	SCE910	BCE910	14.288	19.05	15.88	9434	14017	18000
	SCE912	BCE912	14.288	19.05	19.05	10724	16465	18000
15.875	SCE108	BCE108	15.875	20.638	12.7	8743	12015	16000
	SCE1010	BCE1010	15.875	20.638	15.88	10368	16242	16000
	SCE1012	BCE1012	15.875	20.638	19.05	12015	19802	16000
17.462	SCE116	BCE116	17.462	22.225	9.52	5740	7876	15000
19.05	SCE1210	BCE1210	19.05	25.4	15.88	12682	17577	13000
	SCE1212	BCE1212	19.05	25.4	19.05	15352	22250	13000
20.638	SCE1312	BCE1312	20.638	26.988	19.05	16020	23585	12000
22.225	SCE148	BCE148	22.225	28.575	12.7	11125	15797	11000
	SCE1412	BCE1412	22.225	28.575	19.05	16910	27145	11000
23.812	SCE1516	BCE1516	23.812	30.162	25.4	24030	43165	11000
25.4	SCE168	BCE168	25.4	31.75	12.7	12682	19135	10000
	SCE1612	BCE1612	25.4	31.75	19.05	18022	30260	10000
	SCE1616	BCE1616	25.4	31.75	25.4	24920	45390	10000





# MONDIALTECH

Forniture Industriali

Via Raimondo Dalla Costa 240/b  
 41100 MODENA - ITALY  
 Tel. +39 059 250090 Fax+ 39 059 260083  
 Codice R.E.A. 354046  
 Partita IVA E. Codice Fiscale: 03061810366  
 e-Mail: [monditecinfo@mondialtech.net](mailto:monditecinfo@mondialtech.net)  
 Web: <http://www.mondialtech.net>



Vasto assortimento di Cuscinetti SKF - FAG

Diam.Albero Shaft Diameter mm	Cuscinetto No. Bearing No.		Dimensioni - Dimension			Basic Load Ratings		LimitingSpeed
	SCE	BCE	F w	D	C	C	Co	Oil
			mm			N		rpm
28.575	SCE188	BCE188	28.575	34.925	12.7	12905	20247	9000
	SCE1812	BCE1812	28.575	34.925	19.05	18912	33375	9000
	SCE1816	BCE1816	28.575	34.925	25.4	25810	49395	9000
31.75	SCE2012	BCE2012	31.75	38.1	19.05	21137	39605	8000
	SCE2016	BCE2016	31.75	38.1	25.4	27145	54735	8000
34.925	SCE2212	BCE2212	34.925	41.275	19.05	21360	42720	7500
	SCE2216	BCE2216	34.925	41.275	25.4	27590	59185	7500
38.1	SCE2416	BCE2416	38.1	47.625	25.4	38715	66305	6500
40.45	SCE2816	BCE2816	44.45	53.975	25.4	41385	75650	6000
50.8	SCE3220	BCE3220	50.8	60.325	31.75	55180	115700	5000



**MONDIALTECH**

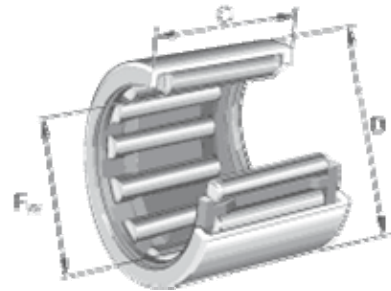
Forniture Industriali

Via Raimondo Dalla Costa 240/b  
41100 MODENA - ITALY  
Tel. +39 059 250090 Fax: +39 059 260083  
Codice R.E.A. 354046  
Partita IVA E. Codice Fiscale: 03061810366  
e-Mail: [monditecinfo@mondialtech.net](mailto:monditecinfo@mondialtech.net)  
Web: <http://www.mondialtech.net>

Vasto assortimento di Cuscinetti SKF - FAG



## Astucci a Rullini Sealed drawn cup needle roller bearings



Diam.Albero Shaft Diameter	Cuscinetto No. Bearing No.	Dimensioni - Dimension			Basic Load Ratings		Limiting Speed
		F w	D	C	C	Co	Oil
mm		mm			N		rpm
8	HK0810RS	8	12	10	2250	2100	19000
	HK0812 2RS	8	12	12	2250	2100	19000
9	HK09X13X12RS	9	13	12	3800	4300	19000
10	HK1012RS	10	14	12	4100	5000	19000
	HK1014 2RS	10	14	14	4100	5000	15000
12	HK1214RS	12	18	14	6100	7000	15000
	HK1216 2RS	12	18	16	6100	7000	12000
14	HK1414RS	14	20	14	6100	7500	13000
	HK1416 2RS	14	20	16	6100	7500	11000
15	HK1514RS	15	21	14	6800	8800	11000
	HK1516 2RS	15	21	16	6800	8800	10000
	HK1518RS	15	21	18	9500	11400	10000
	HK1520 2RS	15	21	20	9500	11400	10000
16	HK1614RS	16	22	14	7200	9200	10000
	HK1616 2RS	16	22	16	7200	9200	10000
	BK1614RS	16	22	14	7200	9200	10000
	HK1620 2RS	16	22	20	9900	12300	10000
17	HK17X25X14RS	17	25	14	8000	9800	10000
	HK17X25X15.5RS	17	25	15.5	9320	10400	13000
	HK17X25X18RS	17	25	18	10500	12600	13000
	HK17X25X20RS	17	25	20	11600	13200	13000
18	HK1816 2RS	18	24	16	7800	9900	9200
20	HK2016 2RS	20	26	16	8000	10100	9000
	HK2018RS	20	26	18	12700	20100	8200
	HK2020 2RS	20	26	20	12700	20100	7800
	BK20X27X18RS	20	27	18	12700	20100	7800
	HK20X29X18RS	20	29	18	8700	9980	7800
22	HK2216 2RS	22	28	16	9000	12400	7800
	HK2220 2RS	22	28	20	10400	20100	7800



# MONDIALTECH

Forniture Industriali

Via Raimondo Dalla Costa 240/b  
 41100 MODENA - ITALY  
 Tel. +39 059 250090 Fax: +39 059 260083  
 Codice R.E.A. 354046  
 Partita IVA E. Codice Fiscale: 03061810366  
 e-Mail: [monditecinfo@mondialtech.net](mailto:monditecinfo@mondialtech.net)  
 Web: <http://www.mondialtech.net>

Vasto assortimento di Cuscinetti SKF - FAG



Diam.Albero Shaft Diameter	Cuscinetto No. Bearing No.	Dimensioni - Dimension			Basic Load Ratings		Limiting Speed
		F w	D	C	C	Co	Oil
mm		mm			N		rpm
25	HK2518RS	25	32	18	13600	20000	6900
	HK2520 2RS	25	32	20	13600	20000	6900
	BK2518RS	25	32	18	13600	20000	6900
30	HK3018RS	30	37	18	16200	26000	5300
	HK3020 2RS	30	37	20	16200	26000	5300
35	HK3520 2RS	35	42	20	16700	30500	4900
45	HK4520 2RS	45	52	20	20300	41000	3800



**MONDIALTECH**

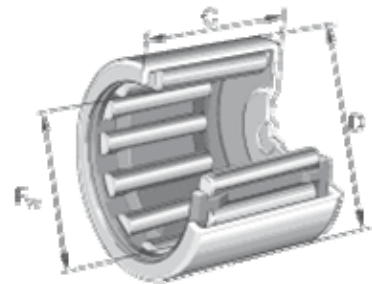
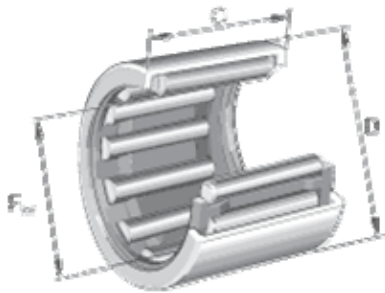
Forniture Industriali

Via Raimondo Dalla Costa 240/b  
41100 MODENA - ITALY  
Tel. +39 059 256090 Fax. +39 059 260883  
Codice R.E.A. 354046  
Partita IVA E. Codice Fiscale: 03061810366  
e-Mail: [multiscinfo@mondialtech.net](mailto:multiscinfo@mondialtech.net)  
Web: <http://www.mondialtech.net>

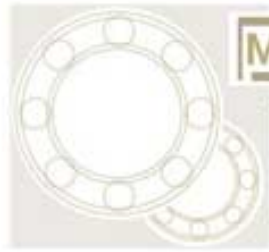
Vasto assortimento di Cuscinetti SKF - FAG



**Astucci a Rullini  
Drawn cup needle  
roller bearings**



Diam.Albero Shaft Diameter mm	Cuscinetto No. Bearing No.	Dimensioni - Dimension			Basic Load Ratings		Limiting Speed
		F w	D	C	C	Co	Oil
		mm			N		rpm
3	HK0306TN	3	6.5	6	1320	950	60000
	BK0306TN	3	6.5	6	1320	950	60000
4	HK0408TN	4	8	8	1540	1070	40000
	BK0408TN	4	8	8	1540	1070	40000
5	HK0509	5	9	9	2200	1790	36000
	BK0509	5	9	9	2200	1790	36000
6	HK0608	6	10	8	1830	1550	32000
	HK0609	6	10	9	2650	2400	3000
	BK 0609	6	10	9	2650	2400	3000
7	HK0708	7	11	8	2800	2150	27000
	HK0709	7	11	9	2800	2150	27000
	BK0709	7	11	9	2800	2150	27000
8	HK0808	8	12	8	2550	2400	21000
	BK0808	8	12	8	2550	2400	21000
	HK0810	8	12	10	3700	3450	21000
	BK0810	8	12	10	3700	3450	21000
	HK08X14X10	8	14	10	3800	3950	25000
	HK08X14X12	8	14	12	4100	4320	25000
9	HK0910	9	13	10	4050	4250	25000
	BK0910	9	13	10	4050	4250	25000
	HK0912	9	13	12	5000	6000	25000
	BK0912	9	13	12	5000	6000	25000
10	HK1010	10	14	10	3900	4800	19000
	BK1010	10	14	10	3900	4800	19000
	HK1012	10	14	12	5000	6300	19000
	BK1012	10	14	12	5000	6300	19000
	HK1015	10	14	15	6700	7800	19000
	HK10X16X10	10	16	10	6800	8800	18000
	HK10X16X12	10	16	12	6800	8800	18000
HK10X16X15	10	16	15	6800	8800	19000	
12	HK1210	12	16	10	4150	5800	19000



# MONDIALTECH

Forniture Industriali

Via Raimondo Dalla Costa 240/b  
 41100 MODENA - ITALY  
 Tel. +39 059 256090 Fax. +39 059 260083  
 Codice R.E.A. 354046  
 Partita IVA E. Codice Fiscale: 03061810366  
 e-Mail: [monditecinfo@mondialtech.net](mailto:monditecinfo@mondialtech.net)  
 Web: <http://www.mondialtech.net>



Vasto assortimento di Cuscinetti SKF - FAG

Diam.Albero Shaft Diameter mm	Cuscinetto No. Bearing No.	Dimensioni - Dimension			Basic Load Ratings		Limiting Speed
		F w	D	C	C	Co	Oil
		mm			N		rpm
	BK1210	12	16	10	4150	5800	19000
	HK1212	12	16	12	3800	5100	15000
12	BK1212	12	16	12	3800	5100	15000
	HK12X17X12	12	17	12	5100	7000	15000
	HK12X17X15	12	17	15	5100	7000	15000
	HK12X17X18	12	17	18	5100	7000	15000
	HK12X18X12	12	18	12	5500	6300	17000
	BK12X18X12	12	18	12	5500	6300	17000
	HK12X19X12	12	19	12	6800	7400	15000
13	HK1312	13	19	12	6200	7100	17000
	BK1312	13	19	12	6200	7100	17000
13.5	HK13.5X20X12	13.5	20	12	6250	7590	16000
14	HK1412	14	20	12	6800	7500	16000
14	HK1416	14	20	16	7300	9000	14000
15	HK15X20X12	15	20	12	5800	6000	14000
	HK15X20X16	15	20	16	6000	6200	14000
	HK15X20X20	15	20	20	6100	6400	14000
	HK1512	15	21	12	7000	8400	14000
	BK1512	15	21	12	7000	8400	14000
	HK1514	15	21	14	8500	10400	13000
	HK1515	15	21	15	9100	11400	13000
	HK1516	15	21	16	9800	11400	14000
	BK1516	15	21	16	9800	11400	14000
	HK1522	15	21	22	10400	16500	14000
	HK15X22X12	15	22	12	14300	18400	13000
16	HK1612	16	22	12	7100	9200	14000
	BK1612	16	22	12	7100	9200	14000
	HK1614	16	22	14	8800	9900	12000
	HK1616	16	22	16	10100	14300	14000
	BK1616	16	22	16	10100	14300	14000
	HK1622	16	22	22	11100	17400	14000
17	HK1712	17	23	12	6900	9300	13000
	BK1712	17	23	12	6900	9300	136000
	HK1714	17	23	14	6800	10200	10000
	HK1716	17	23	16	8500	12500	10000
	HK1718	17	23	18	9500	10600	10000
	HK17X25X14	17	25	14	13100	14700	10000
	HK17X25X18	17	25	18	9500	10600	11000
18	HK1812	18	24	12	7100	9900	12000
	HK1816	18	24	16	106500	15300	12000
	BK1816	18	24	16	10600	15300	12000
20	HK2010	20	26	10	5900	7200	10000
	HK2012	20	26	12	7600	10100	10000



# MONDIALTECH

Forniture Industriali

Via Raimondo Dalla Costa 240/b  
 41100 MODENA - ITALY  
 Tel. +39 059 256090 Fax. +39 059 260083  
 Codice R.E.A. 354046  
 Partita IVA E. Codice Fiscale: 03061810366  
 e-Mail: [monditecinfo@mondialtech.net](mailto:monditecinfo@mondialtech.net)  
 Web: <http://www.mondialtech.net>



Vasto assortimento di Cuscinetti SKF - FAG

Diam.Albero Shaft Diameter mm	Cuscinetto No. Bearing No.	Dimensioni - Dimension			Basic Load Ratings		Limiting Speed
		F w	D	C	C	Co	Oil
		mm			N		rpm
20	HK2014	20	26	14	9700	18100	9000
	HK2016	20	26	16	11700	29100	10000
	BK2016	20	26	16	11700	29100	10000
	HK2018	20	26	18	7900	12800	9000
	HK2020	20	26	20	13700	24000	10000
	HK2030	20	26	30	21800	40000	10100
	HK20X27X20	20	27	20	26300	47800	9900
22	HK2210	22	28	10	7200	9500	10010
	HK2212	22	28	12	8100	10400	10010
	BK2212	22	28	12	8100	10400	10010
	HK2216	22	28	16	11400	18100	10010
	BK2216	22	28	16	11400	18100	10010
	HK2220	22	28	20	14500	25000	10010
	HK2230	22	28	30	17500	30400	9000
22	HK22X29X30	22	29	30	19400	33100	9000
25	HK2512	25	32	12	10000	14200	9000
	BK2512	25	32	12	10000	14200	9000
	HK2514	25	32	14	13600	18700	9000
	HK2516	25	32	16	13600	20000	9000
	BK2516	25	32	16	13600	50000	9000
	HK2520	25	32	20	17900	30000	9000
	BK2520	25	32	20	17900	30000	9000
	HK2526	25	32	26	22500	42000	9000
28	HK2816	28	35	16	15400	22500	8700
	BK2816	28	35	16	15400	22500	8700
	HK2820	28	35	20	18900	32000	8700
30	HK3012	30	37	12	10100	16200	8100
	HK3016	30	37	16	15200	27000	8100
	BK3016	30	37	16	15200	27000	8100
	HK3020	30	37	20	19700	33500	8100
	HK3026	30	37	26	24000	50000	8100
	HK3038	30	37	38	325000	74000	8100
	BK3038	30	37	38	325000	74000	8100
	HK30X38X16	30	38	16	39000	82000	8100
	HK30X38X24	30	38	24	39910	88800	8100
HK30X38X32	30	38	32	38890	88700	8100	
32	HK3232	32	39	32	22600	54300	7100
	HK32X40X32	32	39	32	27990	59890	7100
35	HK35X43X16	35	42	16	24200	47100	7100
	HK35X43X25	35	43	25	24440	48200	6200
	HK35X43X32	35	43	32	24870	48880	6200
40	HK4012	40	47	12	14000	24300	6300
	BK4012	40	47	12	14000	24300	6300





# MONDIALTECH

Forniture Industriali

Via Raimondo Dalla Costa 240/b  
 41100 MODENA - ITALY  
 Tel. +39 059 250090 Fax: +39 059 260083  
 Codice R.E.A. 354046  
 Partita IVA E. Codice Fiscale: 03061810366  
 e-Mail: [mondialtech@mondialtech.net](mailto:mondialtech@mondialtech.net)  
 Web: <http://www.mondialtech.net>



Vasto assortimento di Cuscinetti SKF - FAG

Diam.Albero Shaft Diameter mm	Cuscinetto No. Bearing No.	Dimensioni - Dimension			Basic Load Ratings		Limiting Speed
		F w	D	C	C	Co	Oil
		mm			N		rpm
40	HK4016	40	47	16	20000	38500	6300
	HK4020	40	47	20	25500	52000	6300
	BK4020	40	47	20	25500	52000	6300
45	HK4512	45	52	12	12900	22500	5800
	HK4516	45	52	16	19300	3800	5800
	HK4520	45	52	20	22000	51000	5800
	BK4520	45	52	20	22000	51000	5800
50	HK5012	50	58	12	23600	57200	5300
	HK5020	50	58	20	28000	60000	5300
	BK5020	50	58	20	28000	60000	5300
	HK5025	50	58	25	34500	80000	5300
55	HK5520	55	63	20	29500	59900	4600
60	HK6012	60	68	12	12400	29000	4100
	HK6020	60	68	20	30500	72000	4100
	BK6020	60	68	20	30500	72000	4100



**MONDIALTECH**

Forniture Industriali

Via Raimondo Dalla Costa 240/b  
41100 MODENA - ITALY  
Tel. +39 059 250090 Fax. +39 059 240083  
Codice R.E.A. 354046  
Partita IVA E Codice Fiscale: 03061810366  
e-Mail: [monditecinfo@mondialtech.net](mailto:monditecinfo@mondialtech.net)  
Web: <http://www.mondialtech.net>

LK  
Prestigi e Qualità

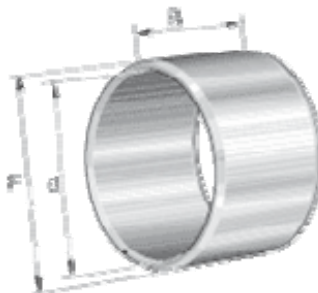
CSC  
Cuscinetti Standard

MONDIAL  
Cuscinetti a Balli

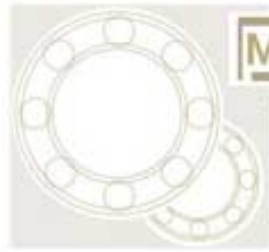
Vasto assortimento di Cuscinetti SKF - FAG

## Anelli Interni

## Inner Rings



Diam.Albero Shaft Diameter mm	Cuscinetto No. - Bearing No.		Dimensioni - Dimension		
			d	F	B
mm					
5		IR --	5	8	12
		IR --	5	8	16
6		IR --	6	9	12
		IR --	6	9	16
	□	IR --	6	10	10
	■	IR --	6	10	12
7		IR LR	7	10	10.5
		IR --	7	10	12
		IR --	7	10	16
8	□	IR --	8	12	10
		IR LR	8	12	10.5
	■	IR --	8	12	12
		IR LR	8	12	12.5
9		IR --	9	12	12
		IR --	9	12	16
10		IR LR	10	13	12.5
	□	IR --	10	14	12
		IR --	10	14	13
	■	IR --	10	14	14
		IR --	10	14	16
		IR --	10	14	20
12		IR --	12	15	12
		IR LR	12	15	12.5
		IR --	12	15	16
		IR LR	12	15	16.5
		IR LR	12	15	22.5
	□	IR --	12	16	12
		IR --	12	16	13
	■	IR --	12	16	14
		IR --	12	16	16



**MONDIALTECH**

Forniture Industriali

Via Raimondo Dalla Costa 240/b  
41100 MODENA - ITALY  
Tel. +39 059 250090 Fax. +39 059 260083  
Codice R.E.A. 354046  
Partita IVA E Codice Fiscale: 03061810366  
e-Mail: [monditecinfo@mondialtech.net](mailto:monditecinfo@mondialtech.net)  
Web: <http://www.mondialtech.net>

Vasto assortimento di Cuscinetti SKF - FAG



Diam.Albero Shaft Diameter mm	Cuscinetto No. - Bearing No.		Dimensioni - Dimension			
			d	F	B	
			mm			
12	IR	--	12	16	20	
	IR	--	12	16	22	
14	IR	--	14	17	17	
15	--	LR	15	18	12.5	
	IR	--	15	18	16	
	IR	LR	15	18	16.5	
	IR	--	15	19	16	
	IR	--	15	19	20	
	□	IR	--	15	20	12
	IR	--	15	20	13	
	■	IR	--	15	20	14
17	IR	--	17	20	16	
	IR	LR	17	20	16.5	
	IR	--	17	20	20	
	IR	LR	17	20	20.5	
	IR	LR	17	20	30.5	
	IR	--	17	21	16	
	IR	--	17	21	20	
	IR	--	17	22	13	
	■	IR	--	17	22	14
	IR	--	17	22	16	
	IR	--	17	22	23	
20	IR	--	17	24	20	
	IR	--	20	24	16	
	IR	--	20	24	20	
	--	LR	20	25	12.5	
	□	IR	--	20	25	16
	--	LR	20	25	16.5	
	IR	--	20	25	17	
	■	IR	--	20	25	18
	IR	--	20	25	20	
	IR	LR	20	25	20.5	
	IR	LR	20	25	26.5	
	IR	--	20	25	30	
22	IR	LR	20	25	38.5	
	IR	--	20	28	20	
22	IR	--	22	26	16	



**MONDIALTECH**

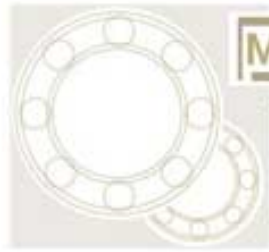
Forniture Industriali

Via Raimondo Dalla Costa 240/b  
41100 MODENA - ITALY  
Tel. +39 059 256090 Fax: +39 059 260083  
Codice R.E.A. 354046  
Partita IVA E Codice Fiscale: 03061810366  
e-Mail: [monditecinfo@mondialtech.net](mailto:monditecinfo@mondialtech.net)  
Web: <http://www.mondialtech.net>

Vasto assortimento di Cuscinetti SKF - FAG



Diam.Albero Shaft Diameter	Cuscinetto No. - Bearing No.		Dimensioni - Dimension		
			d	F	B
			mm		
22		IR --	22	26	20
		IR --	22	28	17
		IR --	22	28	20
		IR LR	22	28	20.5
		IR --	22	28	30
25		IR --	25	29	20
		IR LR	25	29	30
		-- --	25	30	12.5
	□	IR --	25	30	16
		-- --	25	30	16.5
		IR --	25	30	17
	■	IR --	25	30	18
		IR --	25	30	20
		IR --	25	30	20.5
		IR --	25	30	26.5
		IR --	25	30	30
		IR --	25	30	32
		IR --	25	30	38.5
28		IR --	28	32	17
		IR --	28	32	20
		IR --	28	32	30
29		IR --	29	32	13
30		-- --	30	35	12.5
		IR --	30	35	13
		IR --	30	35	16
		-- --	30	35	16.5
		IR --	30	35	17
	■	IR --	30	35	18
		IR --	30	35	20
		IR --	30	35	20.5
		IR --	30	35	26
		IR --	30	35	30
		IR --	30	37	18
	IR --	30	37	22	
□	IR --	30	38	20	
32		IR --	32	37	20
		IR --	32	37	30



# MONDIALTECH

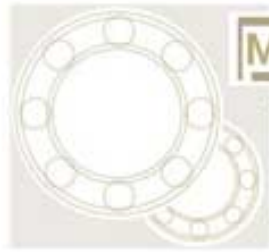
Forniture Industriali

Via Raimondo Dalla Costa 240/b  
 41100 MODENA - ITALY  
 Tel. +39 059 256090 Fax. +39 059 260083  
 Codice R.E.A. 354046  
 Partita IVA E Codice Fiscale: 03061810366  
 e-Mail: [monditecinfo@mondialtech.net](mailto:monditecinfo@mondialtech.net)  
 Web: <http://www.mondialtech.net>



Vasto assortimento di Cuscinetti SKF - FAG

Diam.Albero Shaft Diameter mm	Cuscinetto No. - Bearing No.		Dimensioni - Dimension			
			d	F	B	
			mm			
32	IR	--	32	40	20	
	IR	--	32	40	36	
33	IR	--	33	37	13	
35	--	LR	35	40	12.5	
	--	LR	35	40	16.5	
	IR	--	35	40	17	
	IR	--	35	40	20	
	IR	LR	35	40	20.5	
	IR	--	35	40	30	
	□	IR	--	35	42	20
	IR	--	35	42	20.5	
	■	IR	--	35	42	21
	■	IR	--	35	42	23
	IR	--	35	42	36	
38	IR	--	38	43	20	
	IR	--	38	43	30	
40	--	LR	40	45	16.5	
	IR	--	40	45	17	
	IR	--	40	45	20	
	IR	LR	40	45	20.5	
	IR	--	40	45	30	
	IR	--	40	48	22	
	■	IR	--	40	48	23
	IR	--	40	48	40	
	□	IR	--	40	50	20
42	IR	--	42	47	20	
	IR	--	42	47	30	
45	--	LR	45	50	20.5	
	IR	--	45	50	25	
	IR	LR	45	50	25.5	
	IR	--	45	50	35	
	IR	--	45	52	22	
	■	IR	--	45	52	23
	IR	--	45	52	40	
	□	IR	--	45	55	20
50	IR	--	50	55	20	



**MONDIALTECH**

Forniture Industriali

Via Raimondo Dalla Costa 240/b  
 41100 MODENA - ITALY  
 Tel. +39 059 250090 Fax: +39 059 260083  
 Codice R.E.A. 354046  
 Partita IVA E. Codice Fiscale: 03061810366  
 e-Mail: [monditecinfo@mondialtech.net](mailto:monditecinfo@mondialtech.net)  
 Web: <http://www.mondialtech.net>



Vasto assortimento di Cuscinetti SKF - FAG

Diam.Albero Shaft Diameter mm	Cuscinetto No. - Bearing No.		Dimensioni - Dimension			
			d	F	B	
			mm			
50	--	LR	50	55	20.5	
	IR	--	50	55	25	
	IR	--	50	55	35	
	IR	--	50	58	22	
	■	IR	--	50	58	23
	IR	--	50	58	40	
	□	IR	--	50	60	20
	IR	--	50	60	25	
55	IR	--	55	60	25	
	IR	--	55	60	35	
	IR	--	55	63	25	
	IR	--	55	63	45	
	IR	--	55	65	28	
60	IR	--	60	68	25	
	IR	--	60	68	35	
	IR	--	60	68	45	
	IR	--	60	70	25	
	IR	--	60	70	28	
65	IR	--	65	72	25	
	IR	--	65	72	45	
	IR	--	65	73	25	
	IR	--	65	73	35	
	IR	--	65	75	28	
70	IR	--	70	80	25	
	IR	--	70	80	30	
	IR	--	70	80	35	
	IR	--	70	80	54	
	IR	--	70	80	56	
75	IR	--	75	85	25	
	IR	--	75	85	30	
	IR	--	75	85	35	
	IR	--	75	85	54	
80	IR	--	80	90	25	
	IR	--	80	90	30	
	IR	--	80	90	35	
	IR	--	80	90	54	
85	IR	--	85	95	26	

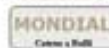




**MONDIALTECH**

Forniture Industriali

Via Raimondo Dalla Costa 240/b  
 41100 MODENA - ITALY  
 Tel. +39 059 250090 Fax: +39 059 260083  
 Codice R.E.A. 354046  
 Partita IVA E Codice Fiscale: 03061810366  
 e-Mail: [monditecinfo@mondialtech.net](mailto:monditecinfo@mondialtech.net)  
 Web: <http://www.mondialtech.net>



Vasto assortimento di Cuscinetti SKF - FAG

Diam.Albero Shaft Diameter mm	Cuscinetto No. - Bearing No.		Dimensioni - Dimension		
			d	F	B
			mm		
85	IR	--	85	95	36
	IR	--	85	100	35
	IR	--	85	100	63
90	IR	--	90	100	26
	IR	--	90	100	30
	IR	--	90	100	36
	IR	--	90	105	35
	IR	--	90	105	63
95	IR	--	95	105	26
	IR	--	95	105	36
	IR	--	95	110	35
	IR	--	95	110	63
100	IR	--	100	110	30
	IR	--	100	110	40
	IR	--	100	115	40
110	IR	--	110	120	30
	IR	--	110	125	40
120	IR	--	120	130	30
	IR	--	120	135	45
130	IR	--	130	145	35
	IR	--	130	150	50
140	IR	--	140	155	35
	IR	--	140	160	50
150	IR	--	150	165	40
160	IR	--	160	175	40
170	IR	--	170	185	45
180	IR	--	180	195	45
190	IR	--	190	210	50
200	IR	--	200	220	50



**MONDIALTECH**

Forniture Industriali

Via Raimondo Dalla Costa 240/b  
41100 MODENA - ITALY  
Tel. +39 059 250090 Fax: +39 059 260083  
Codice R.E.A. 354046  
Partita IVA E Codice Fiscale: 03061810366  
e-Mail: [mondialtech@mondialtech.net](mailto:mondialtech@mondialtech.net)  
Web: <http://www.mondialtech.net>

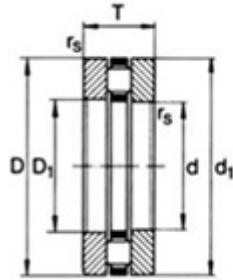
LK  
Prestigi e Qualità

CSC  
Cuscinetti Specializzati

MONDIAL  
Cuscinetti a Rulli

Vasto assortimento di Cuscinetti SKF - FAG

**Cuscinetti Assiali a Rulli  
Cilindrici  
Axial cylindrical roller  
bearings**



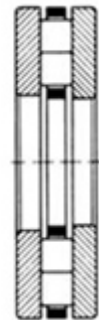
**811,812**



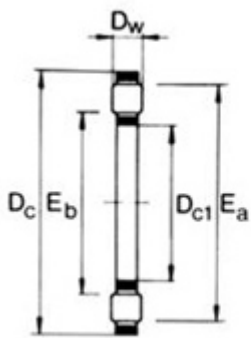
**893**



**874**



**894**



**K811,K812**



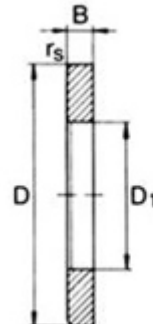
**K893**



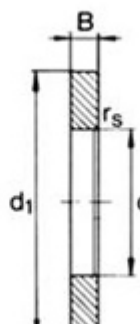
**K874**



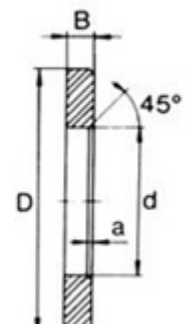
**K894**



**GS**



**WS**



**LS**

Diam.Albero Shaft Diameter	Sigla Designation	Gabbie assiali a rulli cilindrici Axial cylindrical roller and cage assembly	Ralle per Cuscinetti assiali - Axial bearing washers			Dimensioni - Size	
			Housing locating	Shaft locating	Bearing washer	D C1 d	D 1
mm		Sigla - Designation					
15	811 02 TN	K81102 TN	GS 811 02	WS 811 02	LS1528	15	16
17	811 03 TN	K811 03 TN	GS 811 03	WS 811 03	LS 1730	17	18
20	811 04 TN	K811 04 TN	GS 811 04	WS 811 04	LS 2035	20	21
25	811 05 TN	K811 05 TN	GS 81105	WS 81105	LS 2542	25	26
30	811 06 TN	K811 06 TN	GS 811 06	WS 811 06	LS 3047	30	32
	812 06 TN	K 812 06 TN	GS 812 06	WS 812 06	--	30	32
	893 06 TN	K893 06 TN	GS 893 06	WS 893 06	--	30	32
35	811 07 TN	K 811 07 TN	GS811 07	WS811 07	LS 3552	35	37
	812 07 TN	K 812 07 TN	GS 812 07	WS 812 07	--	35	37
	893 07 TN	K 893 07 TN	GS 893 07	WS 893 07	--	35	37
		K 894 07 TN	--	--	--	35	--
40	811 08 TN	K811 08 TN	GS 811 08	WS 811 08	LS 4060	40	42
	812 08 TN	K 812 08 TN	GS 812 08	WS 812 08	--	40	42
	893 08 TN	K893 08 TN	GS 893 08	WS 893 08	--	40	42
	874 08	K 874 08	GS 874 08	WS 874 08	--	40	42
		K 894 08 TN	--	--	--	40	--
45	811 09 TN	K81109TN	GS 811 09	WS 811 09	LS 4565	45	47



**MONDIALTECH**

Forniture Industriali

Via Raimondo Dalla Costa 240/b  
41100 MODENA - ITALY  
Tel. +39 059 256090 Fax: +39 059 246083  
Codice R.E.A. 354046  
Partita IVA E Codice Fiscale: 03061810366  
e-Mail: [monditech@mondialtech.net](mailto:monditech@mondialtech.net)  
Web: <http://www.mondialtech.net>



Vasto assortimento di Cuscinetti SKF - FAG

Diam.Albero Shaft Diameter mm	Sigla Designation	Gabbie assiali a rulli cilindrici Axial cylindrical roller and cage assembly	Ralle per Cuscinetti assiali - Axial bearing washers			Dimensioni - Size	
			Housing locating	Shaft locating	Bearing washer	D C1 d	D 1
		Sigla - Designation					
45	812 09 TN	K 812 09 TN	GS 812 09	WS 812 09	--	45	47
	893 09 TN	K 893 09 TN	GS 893 09	WS 893 09	--	45	47
	874 09	K 874 09	GS 874 09	WS 874 09	--	45	47
		K 894 09 TN	--	--	--	45	--
50	81110TN	K 811 10 TN	GS 811 10	WS 811 10	LS 5070	50	52
	81210TN	K 812 10 TN	GS 812 10	WS 812 10	--	50	52
	89310TN	K 893 10 TN	GS 893 10	WS 893 10	--	50	52
	874 10 TN	K 874 10 TN	GS 874 10	WS 874 10	--	50	52
		K894 10 TN	--	--	--	50	--
55	811 11 TN	K 811 11 TN	GS 811 11	WS 811 11	LS 5578	55	57
	812 11 TN	K 812 11 TN	GS 812 11	WS 812 11	--	55	57
	893 11 TN	K 893 11 TN	GS 893 11	WS 893 11	--	55	57
	874 11	K 874 11 TN	GS 874 11	WS 874 11	--	55	57
		K 894 11 TN	--	--	--	55	--
60	811 12 TN	K811 12 TN	GS 811 12	WS 811 12	LS 6085	60	62
	812 12 TN	K 812 12 TN	GS 812 12	WS 812 12	--	60	62
	893 12 TN	K 893 12 TN	GS 893 12	WS 893 12	--	60	62
	874 12	K 874 12	GS 874 12	WS 874 12	--	60	62
		K 894 12 TN	GS 894 12	WS 894 12	--	60	62
65	81113TN	K811 13 TN	GS811 13	WS811 13	LS 6590	65	67
	812 13TN	K 812 13 TN	GS 812 13	WS 812 13		65	67
	89313TN	K893 13 TN	GS893 13	WS893 13		65	67
	874 13	K 874 13	GS874 13	WS874 13		65	68
		K 894 13 TN	GS 894 13	WS 894 13		65	68
70	811 14 TN	K811 14 TN	GS11 14	WS11 14	LS 7095	70	72
	812 14 TN	K812 14 TN	GS812 14	WS812 14		70	72
	893 14 TN	K 893 14 TN	GS893 14	WS893 14		70	72
	874 14	K 874 14	GS 874 14	WS 874 14		70	73
		K 894 14	GS 894 14	WS 894 14		70	73
75	811 15 TN	K 811 15 TN	GS 811 15	WS 811 15	LS 75100	75	77
	812 15 TN	K 812 15 TN	GS 812 15	WS 812 15		75	77
	893 15 TN	K 893 15 TN	GS 893 15	WS 893 15		75	77
	874 15	K 874 15	GS 874 15	WS 874 15		75	78
		K 894 15	GS 894 15	WS 894 15		75	78
80	811 16 TN	K 811 16 TN	GS 811 16	WS 811 16	LS 80105	80	82
	812 16 TN	K 812 16 TN	GS 812 16	WS 812 16		80	82
	893 16 TN	K893 16 TN	GS893 16	WS893 16		80	82
	874 16	K874 16	GS874 16	WS874 16		80	83
		K 894 16	GS 894 16	WS 894 16		80	83
85	811 17 TN	K 811 17 TN	GS 811 17	WS 811 17	LS 85110	85	87



# MONDIALTECH

Forniture Industriali

Via Raimondo Dalla Costa 240/b  
 41100 MODENA - ITALY  
 Tel. +39 059 250090 Fax: +39 059 260083  
 Codice R.E.A. 354046  
 Partita IVA E. Codice Fiscale: 03061810366  
 e-Mail: [mondialtech@mondialtech.net](mailto:mondialtech@mondialtech.net)  
 Web: <http://www.mondialtech.net>



Vasto assortimento di Cuscinetti SKF - FAG

Diam.Albero Shaft Diameter mm	Sigla Designation	Gabbie assiali a rulli cilindrici Axial cylindrical roller and cage assembly Sigla - Designation	Ralle per Cuscinetti assiali - Axial bearing washers			Dimensioni - Size	
			Housing locating	Shaft locating	Bearing washer	D C1 d	D 1
85	812 17 TN	K 812 17 TN	GS 812 17	WS 812 17		85	88
	893 17	K893 17 TN	GS893 17	WS893 17		85	88
	874 17	K874 17	GS 874 17	WS 874 17		85	88
	894 17	K 894 17	GS 894 17	WS 894 17		85	88
90	811 18 TN	K 811 18 TN	GS 811 18	WS 811 18	LS 90120	90	92
	812 18TN	K 812 18 TN	GS 812 18	WS 812 18		90	93
	893 18	K 893 18	GS 893 18	WS 893 18		90	93
	874 18	K 874 18	GS 874 18	WS 874 18		90	93
	894 18	K 894 18	GS 894 18	WS 894 18		90	93
100	811 20 TN	K 811 20 TN	GS 811 20	WS 811 20	LS 100135	100	102
	812 20	K 812 20	GS 812 20	WS 812 20		100	103
	893 20	K 893 20	GS 893 20	WS 893 20		100	103
	874 20	K 874 20	GS 874 20	WS 874 20		100	103
	894 20	K 894 20	GS 894 20	WS 894 20		100	103



**MONDIALTECH**

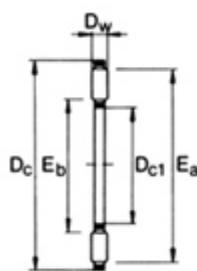
Forniture Industriali

Via Raimondo Dalla Costa 240/b  
41100 MODENA - ITALY  
Tel. +39 059 250090 Fax: +39 059 260083  
Codice R.E.A. 354046  
Partita IVA E. Codice Fiscale: 03061810366  
e-Mail: [mondialtech@mondialtech.net](mailto:mondialtech@mondialtech.net)  
Web: <http://www.mondialtech.net>

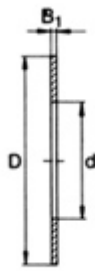


Vasto assortimento di Cuscinetti SKF - FAG

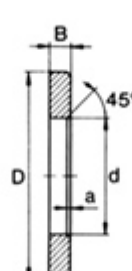
**Cuscinetti Assiali a Rullini**  
**Axial needle roller and cage assemblies**



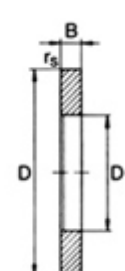
**AXK**



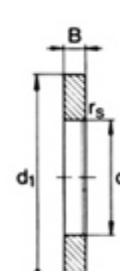
**AS**



**LS**



**GS811**



**WS811**

Diam.Albero Shaft Diameter mm	Gabbie assiali a rulli cilindrici Axial needle roller and cage assemblies	Ralle per cuscinetti assiali - Axial bearing washers				Dimensioni - Dimensions	
		Axial bearing washer	Bearing washer	Housing locating	Shaft locating	Dc1 d	D 1
4	AXK0414TN	AS 0414	--	--	--	4	--
5	AXK0515TN	AS 0515	--	--	--	5	--
6	AXK0619TN	AS 0619	LS 0619	--	--	6	--
8	AXK0821TN	AS 0821	LS 0821	--	--	8	--
10	AXK1024	AS 1024	LS 1024	--	--	10	--
12	AXK1226	AS 1226	LS 1226	--	--	12	--
15	AXK1528	AS 1528	LS 1528	GS 81102	WS 81102	15	16
17	AXK1730	AS 1730	LS 1730	GS 81103	WS 81103	17	18
20	AXK2035	AS 2035	LS 2035	GS 81104	WS 81104	20	21
25	AXK2542	AS 2542	LS 2542	GS 81105	WS 81105	25	26
30	AXK3047	AS 3047	LS 3047	GS 81106	WS 81106	30	32
35	AXK3552	AS 3552	LS 3552	GS 81107	WS 81107	35	37
40	AXK4060	AS 4060	LS 4060	GS 81108	WS 81108	40	42
45	AXK4565	AS 4565	LS 4565	GS 81109	WS 81109	45	47
50	AXK5070	AS 5070	LS 5070	GS 81110	WS 81110	50	52
55	AXK5578	AS 5578	LS 5578	GS 81111	WS 81111	55	57
60	AXK6085	AS 6085	LS 6085	GS 81112	WS 81112	60	62
65	AXK6590	AS 6590	LS 6590	GS 81113	WS 81113	65	67
70	AXK7095	AS 7095	LS 7095	GS 81114	WS 81114	70	72
75	AXK75100	AS 75100	LS 75100	GS 81115	WS 81115	75	77
80	AXK80105	AS 80105	LS 80105	GS 81116	WS 81116	80	82
85	AXK85110	AS 85110	LS 85110	GS 81117	WS 81117	85	87
90	AXK90120	AS 90120	LS 90120	GS 81118	WS 81118	90	92
100	AXK100135	AS 100135	LS 100135	GS 81120	WS 81120	100	102
110	AXK110145	AS 110145	LS 110145	GS 81122	WS 81122	110	112
120	AXK120155	AS 120155	LS 120155	GS 81124	WS 81124	120	122
130	AXK130170	AS 130170	LS 130170	GS 81126	WS 81126	130	132
140	AXK140180	AS 140180	LS 140180	GS 81128	WS 81128	140	142
150	AXK150190	AS 150190	LS 150190	GS 81130	WS 81130	150	152
160	AXK160200	AS 160200	LS 160200	GS 81132	WS 81132	160	162



**MONDIALTECH**

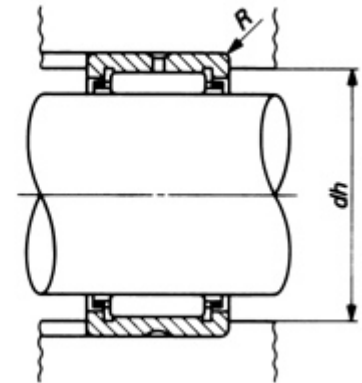
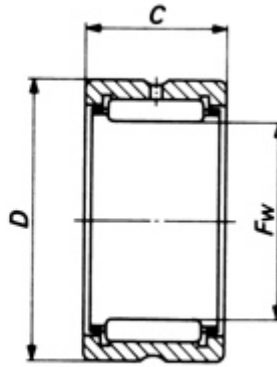
Forniture Industriali

Via Raimondo Dalla Costa 240/b  
41100 MODENA - ITALY  
Tel. +39 059 256090 Fax. +39 059 260083  
Codice R.E.A. 354046  
Partita IVA E Codice Fiscale: 03661810366  
e-Mail: [mondialtech@mondialtech.net](mailto:mondialtech@mondialtech.net)  
Web: <http://www.mondialtech.net>

Vasto assortimento di Cuscinetti SKF - FAG



**Cuscinetto a Rullini  
con Anello interno  
in Pollici  
Needle roller  
bearings without  
inner ring inch size**



Diam.Albero Shaft dia. mm	Cuscinetto No. Bearing No.	Dimensioni - Dimension mm			Dimensioni Montaggio Mounting dimension mm		Basic Load Ratings		Limiting Speed rpm
		F w	D	C	dh Max	R(2) Max	C kgf	Co kgf	
15.875	BR101812	15.875	28.575	19.05	24.5	0.6	1930	2010	25000
19.05	BR122012	19.05	31.75	19.05	26.5	1	2220	2490	20000
	BR122016	19.05	31.75	25.4	26.5	1	2810	3380	20000
22.225	BR142212	22.225	34.925	19.05	29.7	1	2340	2770	18000
	BR142216	22.225	34.925	25.4	29.7	1	2970	3760	18000
25.4	BR162412	25.4	38.1	19.05	32.9	1	2580	3250	16000
	BR162416	25.4	38.1	25.4	32.9	1	3280	4420	16000
28.575	BR182616	28.575	41.275	25.4	36	1	3560	5090	14000
	BR182620	28.575	41.275	31.75	36	1	4410	6690	14000
31.75	BR202816	31.75	44.45	25.4	39.2	1	3670	5450	13000
	BR202820	31.75	44.45	31.75	39.2	1	4550	7180	13000
34.925	BR223016	34.925	47.625	25.4	42.4	1	3930	6120	11000
	BR223020	34.925	47.625	31.75	42.4	1	4870	8060	11000
38.1	BR243316	38.1	52.388	35.4	45.1	1.5	4460	6820	11000
	BR243320	38.1	52.388	31.75	45.1	1.5	5530	8980	11000
41.275	BR263516	41.275	55.562	25.4	48.3	1.5	4570	7230	9500
	BR263520	41.275	55.562	31.75	48.3	1.5	5670	9530	9500
44.45	BR283716	44.45	58.738	25.4	51.5	1.5	4850	7980	9000
	BR283720	44.45	58.738	31.75	51.5	1.5	6010	10500	9000
	BR283820	44.45	60.325	31.75	53.1	1.5	6010	10500	9000
47.625	BR303920	47.625	61.912	31.75	54.7	1.5	6130	11000	8500
50.8	BR324116	50.8	65.088	25.4	57.8	1.5	5200	9110	8000
	BR324120	50.8	65.088	31.75	57.8	1.5	6440	12000	8000
57.15	BR 364824	57.15	76.2	38.1	69	1.5	9200	16100	7000
	BR 364828	57.15	76.2	44.45	69	1.5	10700	19500	7000
63.5	BR 405224	63.5	82.55	38.1	74.3	2	9640	17700	6500
	BR 405228	63.5	82.55	44.45	74.3	2	11200	21400	6500



# MONDIALTECH

Forniture Industriali

Via Raimondo Dalla Costa 240/b  
 41100 MODENA - ITALY  
 Tel. +39 059 250090 Fax: +39 059 260083  
 Codice R.E.A. 354046  
 Partita IVA E. Codice Fiscale: 03061810366  
 e-Mail: [mondialtech@mondialtech.net](mailto:mondialtech@mondialtech.net)  
 Web: <http://www.mondialtech.net>



Vasto assortimento di Cuscinetti SKF - FAG

Diam.Albero Shaft dia.	Cuscinetto No. Bearing No.	Dimensioni - Dimension			Dimensioni Montaggio Mounting dimension		Basic Load Ratings		Limiting Speed
		mm			mm		C	Co	
		F w	D	C	dh Max	R(2) Max	kgf	kgf	
69.85	BR 445624	69.85	88.9	38.1	80.7	2	10100	19300	5500
	BR 445628	69.85	88.9	44.45	80.7	2	11700	23300	5500
76.2	BR 486024	76.2	95.25	38.1	87	2	10700	21600	5500
	BR 486028	76.2	95.25	44.45	87	2	12400	26100	5500
82.55	BR 526828	82.55	107.95	44.45	99.7	2	14400	26400	5000
	BR 526832	82.55	107.95	50.8	99.7	2	15700	29500	5000
88.9	BR 567232	88.9	114.3	50.8	106.1	2	16500	32100	4500
95.25	BR 607632	95.25	120.65	50.8	111.4	2.5	17200	34900	4000
101.6	BR 648032	101.6	127	50.8	117.8	2.5	18000	37500	4000





**MONDIALTECH**

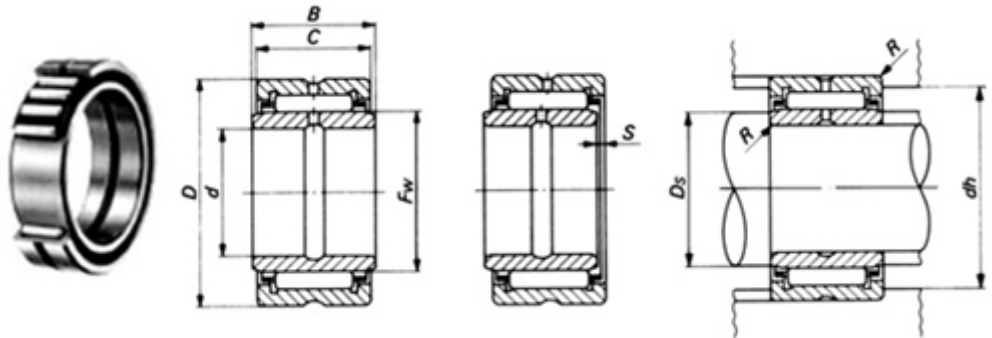
Forniture Industriali

Via Raimondo Dalla Costa 240/b  
41100 MODENA - ITALY  
Tel. +39 059 250090 Fax. +39 059 260083  
Codice R.E.A. 354046  
Partita IVA E. Codice Fiscale: 03061810366  
e-Mail: [monditech@monditech.net](mailto:monditech@monditech.net)  
Web: <http://www.monditech.net>

Vasto assortimento di Cuscinetti SKF - FAG



**Cuscinetto a Rullini  
con Anello Interno in  
Pollici**  
**Needle roller bearings  
with inner ring  
inch size**



Diam.Albero Shaft dia. mm	Cuscinetto No. Bearing No.	Dimensioni - Dimension mm			Dimensioni Montaggio dimension mm		Mounting	Basic Load Ratings		Limiting Speed rpm
		F w	D	C	dh	R(2)	C	Co		
					Max	Max	kgf	kgf		
9.525	BRI 61812	15.875	28.575	19.05	24.5	0.6	1930	2010	25000	
12.7	BRI 82012	19.05	31.75	19.05	26.5	1	2220	2490	20000	
	BRI 82016	19.05	31.75	25.4	26.5	1	2810	3380	20000	
15.875	BRI 102212	22.225	34.925	19.05	29.7	1	2340	2770	18000	
	BRI 102216	22.225	34.925	25.4	29.7	1	2970	3760	18000	
19.05	BRI 122412	25.4	38.1	19.05	32.9	1	2580	3250	16000	
	BRI 122416	25.4	38.1	25.4	32.9	1	3280	4420	16000	
22.225	BRI 142616	28.575	41.275	25.4	36	1	3560	5090	14000	
	BRI 142620	28.575	41.275	31.75	36	1	4410	6690	14000	
25.4	BRI 142620	31.75	44.45	25.4	39.2	1	3670	5450	13000	
	BRI 162816	31.75	44.45	31.75	39.2	1	4550	7180	13000	
28.575	BRI 162820	34.925	47.625	25.4	42.4	1	3930	6120	11000	
	BRI 183020	34.925	47.625	31.75	42.4	1	4870	8060	11000	
31.75	BRI 203316	38.1	52.388	25.4	45.1	1.5	4460	6820	11000	
	BRI 203320	38.1	52.388	31.75	45.1	1.5	5530	8980	11000	
34.925	BRI 223516	41.275	55.562	25.4	48.3	1.5	4570	7230	9500	
	BRI 223520	41.275	55.562	31.75	48.3	1.5	5670	9530	9500	
38.1	BRI 243716	44.45	58.738	25.4	51.5	15	4850	7980	9000	
	BRI 243720	44.45	58.738	31.75	51.5	1.5	6010	10500	9000	
	BRI 243820	44.45	60.325	31.75	53.1	1.5	6010	10500	9000	
	BRI 243920	47.625	61.912	31.75	54.7	1.5	6130	11000	8500	
50.8	BRI 264116	50.8	65.088	25.4	57.8	1.5	5200	9110	8000	
	BRI 264120	50.8	65.088	31.75	57.8	1.5	6440	12000	8000	
44.45	BRI 284824	57.15	76.2	38.1	69	1.5	9200	16100	7000	
	BRI 284828	57.15	76.2	44.45	69	1.5	10700	19500	7000	
50.8	BRI 325224	63.5	82.55	38.1	74.3	2	9640	17700	6500	



**MONDIALTECH**  
Forniture Industriali

Via Raimondo Dalla Costa 240/b  
41100 MODENA - ITALY  
Tel. +39 059 250090 Fax. +39 059 260083  
Codice R.E.A. 354046  
Partita IVA E. Codice Fiscale: 03061810366  
e-Mail: [monditecinfo@mondialtech.net](mailto:monditecinfo@mondialtech.net)  
Web: <http://www.mondialtech.net>

Vasto assortimento di Cuscinetti SKF - FAG

**LK**  
Pagamenti di Qualità

**CSC**  
Cuscinetti Standard

**MONDIAL**  
Cuscinetti a Balli

Diam.Albero Shaft dia.	Cuscinetto No. Bearing No.	Dimensioni - Dimension			Dimensioni Montaggio dimension		Mounting	Basic Load Ratings		Limiting Speed
		mm			mm			C	Co	
mm		F w	D	C	dh	R(2)	kgf	kgf	rpm	
					Max	Max				
	BRI 325228	63.5	82.55	44.45	74.3	2	11200	21400	6500	
57.15	BRI 365624	69.85	88.9	38.1	80.7	2	10100	19300	5500	
	BRI 365628	69.85	88.9	44.45	80.7	2	11700	23300	5500	
63.5	BRI 406024	76.2	95.25	38.1	87	2	10700	21600	5500	
	BRI 406028	76.2	95.25	44.45	87	2	12400	26100	5500	
69.85	BRI 446828	82.55	107.95	44.45	99.7	2	14400	26400	5000	
	BRI 446832	82.55	107.95	50.8	99.7	2	15700	29500	5000	
76.2	BRI 487232	88.9	114.3	50.8	106.1	2	16500	32100	4500	
82.55	BRI 527632	95.25	120.65	50.8	111.4	2.5	17200	34900	4000	
88.9	BRI 568032	101.6	127	50.8	111.4	2.5	18000	37500	4000	



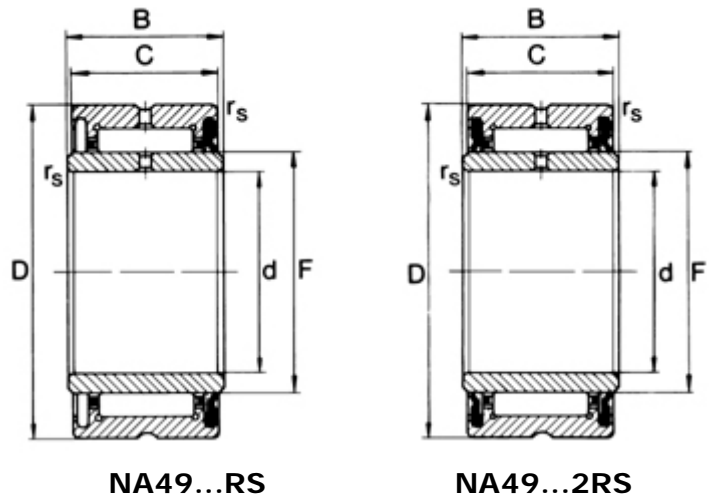
**MONDIALTECH**  
Forniture Industriali

Via Raimondo Dalla Costa 240/b  
41100 MODENA - ITALY  
Tel. +39 059 250090 Fax. +39 059 260083  
Codice R.E.A. 354046  
Partita IVA E. Codice Fiscale: 03061810366  
e-Mail: [mondialtech@mondialtech.net](mailto:mondialtech@mondialtech.net)  
Web: <http://www.mondialtech.net>

Vasto assortimento di Cuscinetti SKF - FAG

LK  
CSC  
MONDIAL

**Cuscinetti a Rullini**  
**Sealed needle roller bearings with inner ring**



Diam.Albero Shaft Diameter	Cuscinetto No. - Bearing No.		Dimensioni - Dimension						Basic Load Ratings		LimitingSpeed
	NA 49..RS	NA 49..2RS	d	F	D	C	B	r S	C	Co	Oil
	Singola tenuta Single sealed	Doppia tenuta Double sealed							N		rpm
mm			mm		Min			N		rpm	
10	NA 4900 RS	NA 4900.2RS	10	14	22	13	14	0.3	6800	6900	13000
12	NA 4901 RS	NA 4901.2RS	12	16	24	13	14	0.3	7600	8300	12000
15	NA 4902 RS	NA 4902.2RS	15	20	28	13	14	0.3	8600	10300	10000
17	NA 4903 RS	NA 4903.2RS	17	22	30	13	14	0.3	8800	11000	9000
20	NA 4904 RS	NA 4904.2RS	20	25	37	17	18	0.3	17300	19900	7500
25	NA 4905 RS	NA 4905.2RS	25	30	42	17	18	0.3	19300	24200	6500
30	NA 4906 RS	NA 4906.2RS	30	35	47	17	18	0.3	21100	28500	5500
35	NA 4907 RS	NA 4907.2RS	35	42	55	20	21	0.6	26500	39500	4800
40	NA 4908 RS	NA 4908.2RS	40	48	62	22	23	0.6	36000	53000	4200
45	NA 4909 RS	NA 4909.2RS	45	52	68	22	23	0.6	38000	59000	3900
50	NA 4910 RS	NA 4910.2RS	50	58	72	22	23	0.6	40000	64000	3500



**MONDIALTECH**

Forniture Industriali

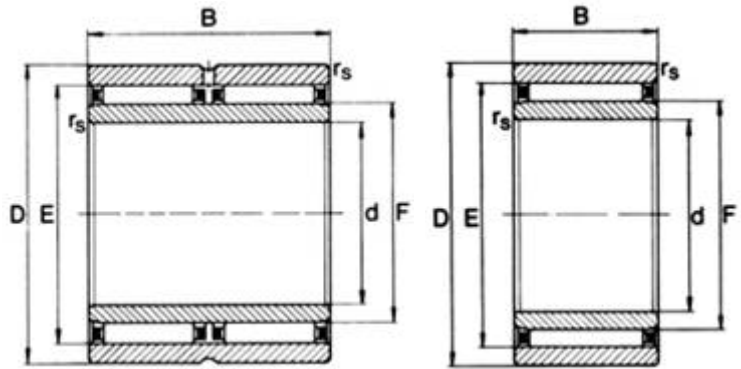
Via Raimondo Dalla Costa 240/b  
41100 MODENA - ITALY  
Tel. +39 059 250090 Fax: +39 059 260083  
Codice R.E.A. 354046  
Partita IVA E Codice Fiscale: 03061810366  
e-Mail: [mondialtech@mondialtech.net](mailto:mondialtech@mondialtech.net)  
Web: <http://www.mondialtech.net>

Vasto assortimento di Cuscinetti SKF - FAG



## Cuscinetti a Rullini

Needle roller bearings without ribs  
without inner ring



RNAO(duoble row)

RNAO(single row)

Diam. Albero Shaft Diameter	Cuscinetto No. Bearing No Fw D C	Dimensioni - Dimension					Basic Load Ratings		limiting Speed n 1 oil
		E	D 1	d 2	D 2	rs	C	Co	
mm		mm					min.	N	
6	NAO 6X17X10 TN	13	10.3	12.7	13.3	0.3	4750	5500	29000
9	NAO 9X22X12 TN	18	12.3	17.6	18.3	0.3	10000	9900	26000
12	NAO 12X24X13	20	16.4	19.6	20.3	0.3	8900	11800	24000
	NAO 12X24X20	20	16.4	19.6	20.3	0.3	13300	19800	24000
	NAO 12X28X12	22	16.4	21.6	22.3	0.3	11500	12500	23000
15	NAO 15X28X13	24	20.4	23.6	24.3	0.3	9800	14300	21000
	NAO 15X32X12	26	20.4	25.6	26.5	0.3	13400	16200	21000
17	NAO 17X30X13	26	22.4	25.6	26.3	0.3	10400	15900	20000
	NAO 17X35X16	29	22.4	28.4	29.5	0.3	20000	25500	19000
20	NAO 20X35X17	29	25.6	28.4	29.5	0.3	14900	26000	18000
	NAO 20X37X16	32	25.6	31.4	32.5	0.3	21000	28000	17000
25	NAO 25X40X17	35	30.6	34.4	35.5	0.3	19600	34000	15000
	NAO 25X42X16	37	30.6	36.4	37.5	0.3	23100	33500	15000
	NAO 25X42X32	37	30.6	36.4	37.5	0.3	39500	37000	15000
30	NAO 30X45X13	40	35.6	39.4	40.5	0.3	16200	28000	13000
	NAO 30X45X17	40	35.6	39.4	40.5	0.3	20800	38500	13000
	NAO 30X45X26	40	35.6	39.4	40.5	0.3	27500	56000	13000
	NAO 30X47X16	42	35.6	41.4	42.5	0.3	24400	37500	13000
	NAO 30X47X18	42	35.6	41.4	42.5	0.3	27500	43000	13000
	NAO 30X52X18	44	37.6	43.4	44.5	0.3	28000	45500	12000
35	NAO 35X50X17	45	40.6	44.4	45.5	0.3	21400	41500	12000
	NAO 35X55X20	47	40.6	46.2	47.5	0.3	32500	57000	11000
	NAO 35X57X20.5	50	42.6	49.2	50.5	0.3	36000	59000	11000
40	NAO 40X55X17	50	45.69	49.2	50.5	0.3	22500	46000	10000
	NAO 40X65X20	58	50.6	57.2	58.5	0.3	35500	62000	9000



**MONDIALTECH**  
Forniture Industriali

Via Raimondo Dalla Costa 240/b  
41100 MODENA - ITALY  
Tel. +39 059 250090 Fax: +39 059 260083  
Codice R.E.A. 354046  
Partita IVA E Codice Fiscale: 03061810366  
e-Mail: [monditecinfo@mondialtech.net](mailto:monditecinfo@mondialtech.net)  
Web: <http://www.mondialtech.net>

Vasto assortimento di Cuscinetti SKF - FAG





50	NAO 50X68X20	60	55.8	59.2	60.8	0.6	28500	66000	8500
	NAO 50X78X20	68	60.8	67.2	68.8	1	43500	85000	7500
70	NAO 70X100X30	88	81	87.2	89	1	72000	179000	6000
75	NAO 75X105X25	93	86	92.2	94	1	57000	136000	5500
80	NAO 80X110X30	98	91	97.2	99	1	68000	172000	5000
90	NAO 90X120X30	108	101	107.2	109	1	71000	188000	4700



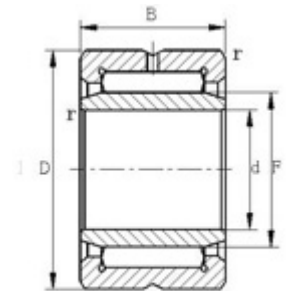
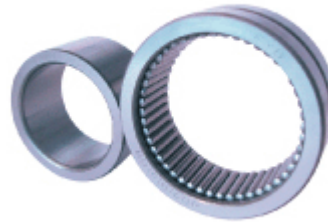
**MONDIALTECH**  
Forniture Industriali

Via Raimondo Dalla Costa 240/b  
41100 MODENA - ITALY  
Tel. +39 059 250090 Fax. +39 059 260083  
Codice R.E.A. 354046  
Partita IVA E. Codice Fiscale: 03061810366  
e-Mail: [mondialtech@mondialtech.net](mailto:mondialtech@mondialtech.net)  
Web: <http://www.mondialtech.net>

Vasto assortimento di Cuscinetti SKF - FAG

LK  
CSC  
MONDIAL

**Cuscinetti a Rullini con anello interno**  
**Needle roller bearings with inner ring**  
**without cage**



NAV49

Diam.Albero Shaft Diameter	Cuscinetto No. Bearing No.	Peso Mass g	Dimensioni - Dimension					Basic Load Ratings		Limiting Speed Rpm
			d	F	D	B	r min.	Cr	Cor	
mm			mm					N		
15	NAV4902	-	15	20	28	13	0.3	8.5	9.2	20000
17	NAV4903	-	17	22	30	13	0.3	9.4	10.9	17000
20	NAV4904	-	20	25	37	17	0.3	10.6	13.6	14000
25	NAV4905	-	25	30	42	17	0.3	11	14.6	12000
30	NAV4906	-	30	35	47	17	0.3	21	25.5	11000
35	NAV4907	-	35	42	55	20	0.6	22.8	29.5	9500
40	NAV4908	-	40	48	62	22	0.6	23.6	31.5	9500
45	NAV4909	-	45	52	68	22	0.6	24.4	33.5	8500
50	NAV4910	-	50	58	72	22	0.6	25	35.5	8000
60	NAV4912	-	60	68	85	25	1	30.5	47.5	7000
70	NAV4914	-	70	80	100	30	1	31.5	50	7000
80	NAV4916	-	80	90	110	30	1	43	67	6000
90	NAV4918	1507	90	105	125	35	1.1	45	73	5500
95	NAV4919	1537	95	110	130	35	1.1	47	80	5000
100	NAV4920	2240	100	115	140	40	1.1	58	100	4700
110	NAV4922	-	110	125	150	40	1.1	60	108	4300
120	NAV4924	-	120	135	165	45	1.1	61	112	4100
130	NAV4926	4430	130	150	180	50	1.5	84	156	3700



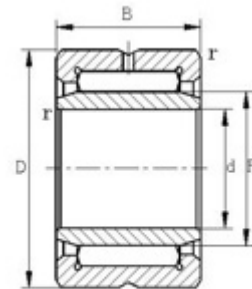
**MONDIALTECH**  
Forniture Industriali

Via Raimondo Dalla Costa 240/b  
41100 MODENA - ITALY  
Tel. +39 059 250090 Fax. +39 059 260083  
Codice R.E.A. 354046  
Partita IVA E. Codice Fiscale: 03061810366  
e-Mail: [monditecinfo@mondialtech.net](mailto:monditecinfo@mondialtech.net)  
Web: <http://www.mondialtech.net>

Vasto assortimento di Cuscinetti SKF - FAG

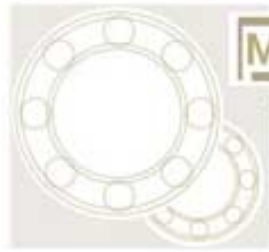
LK  
CSC  
MONDIAL

**Cuscinetti a Rullini con anello interno**  
**Needle roller bearings with inner ring without cage**



NAV40

Diam.Albero Shaft Diameter	Cuscinetto No. Bearing No.	Peso Mass g	Dimensioni - Dimension					Basic Load Ratings		Limiting Speed Rpm
			d	f	D	B	rmin.	Cr	Cor	
mm			mm					N		
17	NAV4003	98	17	24.3	35	18	0.3	12	17	3400
20	NAV4004	175	20	28.7	42	22	0.6	14.5	29.6	3000
25	NAV4005	201	25	33.5	47	22	0.6	23.3	34.6	2600
30	NAV4006	311	30	40.1	55	25	1	28.5	46.9	2000
35	NAV4007	418	35	45.9	62	27	1	33.5	59.9	1800
40	NAV4008	495	40	51.6	68	28	1	35.8	67	1700
45	NAV4009	637	45	57.4	75	30	1	41.3	74	1500
50	NAV4010	702	50	62.1	80	30	1	42.8	88.9	1400
55	NAV4011	1030	55	69.8	90	35	1.1	48.9	109	1300
60	NAV4012	1125	60	74.6	95	35	1.1	50.7	116	1100
65	NAV4013	1200	65	80.3	100	35	1.1	59.4	126	1000
70	NAV4014	1700	70	88	110	40	1.1	72.4	155	950
75	NAV4015	1810	75	92.7	115	40	1.1	74.1	164	900
80	NAV4016	2470	80	100.3	125	45	1.1	82.3	174.1	900
85	NAV4017	2580	85	104.8	130	45	1.1	-	-	900



**MONDIALTECH**

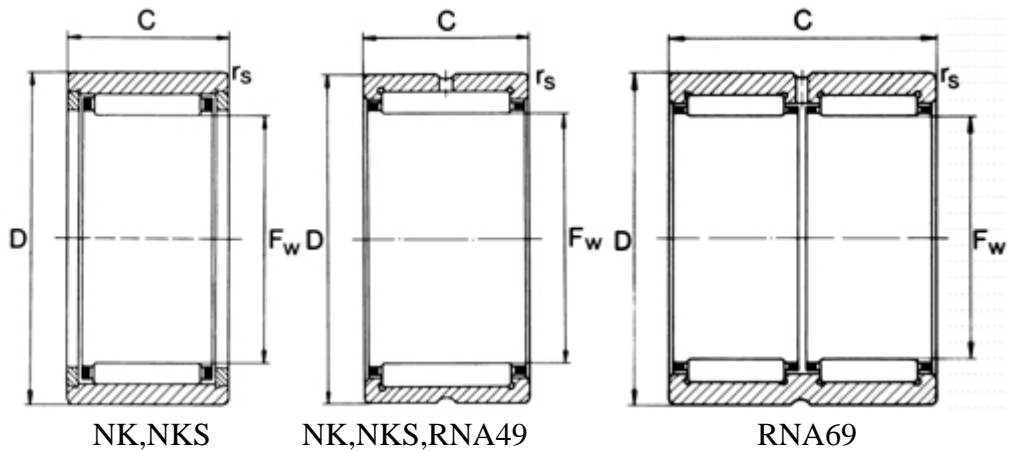
Forniture Industriali

Via Raimondo Dalla Costa 240/b  
41100 MODENA - ITALY  
Tel. +39 059 250090 Fax. +39 059 240083  
Codice R.E.A. 354046  
Partita IVA E. Codice Fiscale: 03061810366  
e-Mail: [mondialtech@mondialtech.net](mailto:mondialtech@mondialtech.net)  
Web: <http://www.mondialtech.net>

Vasto assortimento di Cuscinetti SKF - FAG



**Cuscinetti a Rullini  
senza anello interno  
Needle roller bearings  
without inner ring**



Diam.Albero Shaft Diameter mm	Cuscinetto No. Bearing No.	Dimensioni - Dimension				Basic Load Ratings		Limiting Speed
		F W	D	C	r s	C	Co	Oil rpm
		mm			Min.	N		
5	NK 5/10 TN	5	10	10	0.15	2350	1920	39000
	NK 5/12 TN	5	10	12	0.15	3000	2650	39000
6	NK 6/10 TN	6	12	10	0.15	2600	2280	37000
	NK 6/12 TN	6	12	12	0.15	3350	3150	37000
7	NK 7/10 TN	7	14	10	0.3	2850	2650	34000
	NK 7/12 TN	7	14	12	0.3	3650	3600	34000
8	NK 8/12 TN	8	15	12	0.3	3950	4100	32000
	NK 8/16 TN	8	15	16	0.3	5100	5800	32000
	NKS 8 TN	8	16	13	0.3	5000	4700	32000
9	NK 9/12 TN	9	16	12	0.3	4500	5000	31000
	NK 9/16 TN	9	16	16	0.3	5900	7100	31000
10	NK 10/12 TN	10	17	12	0.3	4750	5500	29000
	NK 10/16 TN	10	17	16	0.3	6200	7800	29000
	NKS 10 TN	10	19	13	0.3	5800	6000	29000
12	NK 12/12	12	19	12	0.3	6400	7100	27000
	NK 12/16	12	19	16	0.3	9000	11000	27000
	NKS 12 TN	12	22	16	0.6	9600	10400	26000
14	NK 14/16	14	22	16	0.3	10100	11500	25000
	NK 14/20	14	22	20	0.3	12800	15600	25000
	NKS 14	14	25	16	0.6	14400	13800	24000
	RNA 4900	14	22	13	0.3	8500	9200	25000
15	NK 15/16	15	23	16	0.3	10700	12700	24000
	NK 15/20	15	23	20	0.3	13600	17200	24000
	NKS 15	15	26	16	0.6	14400	14000	23000
16	NK 16/16	16	24	16	0.3	11300	13900	23000
	NK 16/20	16	24	20	0.3	14400	18800	23000
	NKS 16	16	28	16	0.6	15700	15800	22000
	RNA 4901	16	24	13	0.3	9400	10900	23000
	RNA 6901	16	24	22	0.3	16000	21600	23000





# MONDIALTECH

Forniture Industriali

Via Raimondo Dalla Costa 240/b  
 41100 MODENA - ITALY  
 Tel. +39 059 250090 Fax+ 39 059 260083  
 Codice R.E.A. 354046  
 Partita IVA E. Codice Fiscale: 03061810366  
 e-Mail: [monditecinfo@mondialtech.net](mailto:monditecinfo@mondialtech.net)  
 Web: <http://www.mondialtech.net>



Vasto assortimento di Cuscinetti SKF - FAG

Diam.Albero Shaft Diameter	Cuscinetto No. Bearing No.	Dimensioni - Dimension				Basic Load Ratings		Limiting Speed
		F W	D	C	r s	C	Co	Oil
		mm			Min.	N		rpm
17	NK 17/16	17	25	16	0.3	11900	15000	23000
	NK 17/20	17	25	20	0.3	15100	20400	23000
18	NK 18/16	18	26	16	0.3	12500	16200	22000
	NK 18/20	18	26	20	0.3	15800	22000	22000
	NKS 18	18	30	16	0.6	16800	17700	21000
19	NK 19/16	19	27	16	0.3	13000	17400	22000
	NK 19/20	19	27	20	0.3	16500	23600	22000
20	NK20/16	20	28	16	0.3	13000	17500	21000
	NK20/20	20	28	20	0.3	16400	23800	21000
	NKS 20	20	32	20	0.6	23000	25000	20000
	RNA4902	20	28	13	0.3	10600	13600	21000
	RNA6902	20	28	23	0.3	17300	25500	21000
21	NK21/16	21	29	16	0.3	13500	18700	21000
	NK21/20	21	29	20	0.3	17100	25500	21000
22	NK22/16	22	30	16	0.3	14000	19900	20000
	NK22/20	22	30	20	0.3	17700	27000	20000
	NKS 22	22	35	20	0.6	24500	28000	18000
	RNA4903	22	30	13	0.3	11000	14600	20000
	RNA6903	22	30	23	0.3	18600	29000	20000
24	NK24/16	24	32	16	0.3	15000	22300	18000
	NK24/20	24	32	20	0.3	19000	30500	18000
	NKS24	24	34	20	0.6	26000	31000	17000
25	NK25/16	25	33	16	0.3	14900	22400	18000
	NK25/20	25	33	20	0.3	18800	30500	18000
	NKS 25	25	38	20	0.6	27500	33500	17000
	RNA4904	25	37	17	0.3	21000	25500	17000
	RNA6904	25	37	30	0.3	36000	51000	17000
26	NK26/16	26	34	16	0.3	15300	23600	17000
	NK26/20	26	34	20	0.3	19400	32000	17000
28	NK28/20	28	37	20	0.3	22000	34000	16000
	NK28/30	28	37	30	0.3	33000	57000	16000
	NKS28	28	42	20	0.6	28500	36500	15000
	RNA49/22	28	39	17	0.3	22800	29500	15000
	RNA69/22	28	39	30	0.3	37500	55000	15000
29	NK29/20	29	38	20	0.3	21900	34000	15000
	NK29/30	29	38	30	0.3	32500	57000	15000
30	NK30/20	30	40	20	0.3	22600	36000	15000
	NK30/30	30	40	30	0.3	33500	60000	15000
	NKS30	30	45	22	0.6	32000	40000	14000
	RNA4905	30	42	17	0.3	23600	31500	14000
	RNA6905	30	42	30	0.3	39000	59000	14000
32	NK32/20	32	42	20	0.3	23100	37500	14000
	NK32/30	32	42	30	0.3	34500	63000	14000



# MONDIALTECH

Forniture Industriali

Via Raimondo Dalla Costa 240/b  
 41100 MODENA - ITALY  
 Tel. +39 059 256090 Fax: +39 059 260083  
 Codice R.E.A. 354046  
 Partita IVA E. Codice Fiscale: 03061810366  
 e-Mail: [monditecinfo@mondialtech.net](mailto:monditecinfo@mondialtech.net)  
 Web: <http://www.mondialtech.net>



Vasto assortimento di Cuscinetti SKF - FAG

Diam.Albero Shaft Diameter	Cuscinetto No. Bearing No.	Dimensioni - Dimension				Basic Load Ratings		Limiting Speed
		F W	D	C	r s	C	Co	Oil
		mm			Min.	N		rpm
32	NKS32	32	47	22	0.6	33500	43500	13000
	RNA49/28	32	45	17	0.3	24400	33500	14000
	RNA69/28	32	45	30	0.3	40500	63000	14000
35	NK 35/20	35	45	20	0.3	24300	41500	13000
	NK 35/30	35	45	30	0.3	36500	69000	13000
	NKS35	35	50	22	0.6	35000	47000	12000
	RNA4906	35	47	17	0.3	25000	35500	13000
37	RNA6906	35	47	30	0.3	43500	71000	13000
	NK 37/20	37	47	20	0.3	24900	43500	12000
	NK 37/30	37	47	30	0.3	37000	73000	12000
38	NKS37	37	52	22	0.6	36500	50000	12000
	NK 38/20	38	48	20	0.3	25500	45000	12000
	NK 38/30	38	48	30	0.3	38000	76000	12000
40	NK 40/20	40	50	20	0.3	26000	47000	11000
	NK 40/30	40	50	30	0.3	39000	79000	11000
	NKS40	40	55	22	0.6	38000	54000	11000
	RNA49/32	40	52	20	0.6	30500	47500	11000
	RNA69/32	40	52	36	0.6	47000	82000	11000
42	NK 42/20	42	52	20	0.3	26500	49000	11000
	NK 42/30	42	52	30	0.3	39500	82000	11000
	RNA4907	42	55	20	0.6	31500	50000	11000
	RNA6907	42	55	36	0.6	48000	86000	11000
43	NK 43/20	43	53	20	0.3	27000	51000	11000
	NK 42/30	43	53	30	0.3	40500	85000	11000
	NKS43	43	58	22	0.6	39000	57000	10000
45	NK 45/20	45	55	20	0.3	27500	53000	10000
	NK 45/30	45	55	30	0.3	41000	88000	10000
	NKS45	45	60	22	0.6	40500	60000	10000
47	NK 47/20	47	57	20	0.3	28500	56000	10000
	NK 47/30	47	57	30	0.3	43000	94000	10000
48	RNA4908	48	62	22	0.6	43000	67000	9000
	RNA6908	48	62	40	0.6	66000	116000	9000
50	NK 50/25	50	62	25	0.6	38000	74000	9000
	NK 50/35	50	62	35	0.6	55000	106000	9000
	NKS50	50	65	22	1	42500	67000	9000
52	RNA4909	52	68	22	0.6	45000	73000	8500
	RNA6909	52	68	40	0.6	69000	127000	8500
55	NK 55/25	55	68	25	0.6	40000	82000	8500
	NK 55/35	55	68	35	0.6	53000	118000	8500
	NKS55	55	72	22	1	45000	74000	8000
58	RNA4910	58	72	22	0.6	47000	80000	8000
	RNA6910	58	72	40	0.6	73000	139000	8000
60	NK 60/25	60	72	25	0.6	42000	90000	7500



# MONDIALTECH

Forniture Industriali

Via Raimondo Dalla Costa 240/b  
 41100 MODENA - ITALY  
 Tel. +39 059 256090 Fax+ 39 059 260083  
 Codice R.E.A. 354046  
 Partita IVA E. Codice Fiscale: 03061810366  
 e-Mail: [monditecinfo@mondialtech.net](mailto:monditecinfo@mondialtech.net)  
 Web: <http://www.mondialtech.net>



Vasto assortimento di Cuscinetti SKF - FAG

Diam.Albero Shaft Diameter	Cuscinetto No. Bearing No.	Dimensioni - Dimension				Basic Load Ratings		Limiting Speed
		F W	D	C	r s	C	Co	Oil
		mm			Min.	N		rpm
60	NK 60/35	60	72	35	0.6	56000	130000	7500
	NKS60	60	80	28	1.1	63000	98000	7500
63	RNA4911	63	80	25	1	58000	100000	7000
	RNA6911	63	80	45	1	90000	176000	7000
65	NK 65/25	65	78	25	0.6	44000	98000	7000
	NK 65/35	65	78	35	0.6	59000	142000	7000
	NKS65	65	85	28	1.1	67000	108000	7000
68	NK 68/25	68	82	25	0.6	43500	89000	7000
	RNA4912	68	85	25	1	60000	108000	6500
	RNA6912	68	85	45	1	94000	191000	6500
70	NK 70/25	70	85	25	0.6	44500	92000	6500
	NK 70/35	70	85	35	0.6	63000	144000	6500
	NKS70	70	90	28	1.1	68000	113000	6500
72	RNA4913	72	90	25	1	61000	112000	6500
	RNA6913	72	90	45	1	95000	198000	6500
73	NK 73/25	73	90	25	1	53000	100000	6500
	NK 73/35	73	90	35	1	75000	156000	6500
75	NK 75/25	75	92	25	1	54000	104000	6000
	NK 75/35	75	92	35	1	77000	162000	6000
	NKS75	75	95	28	1.1	71000	123000	6000
80	NK 80/25	80	95	25	1	56000	119000	6000
	NK 80/35	80	95	35	1	78000	184000	6000
	NKS80	80	100	28	1.1	75000	133000	5500
	RNA4914	80	100	30	1	84000	156000	5500
85	RNA6914	80	100	54	1	128000	265000	5500
	NK 85/25	85	105	25	1	69000	123000	5500
	NK 85/35	85	105	35	1	98000	193000	5500
	RNA4915	85	105	30	1	86000	162000	5500
90	RNA6915	85	105	54	1	130000	275000	5500
	NK 90/25	90	110	25	1	72000	132000	5000
	NK 90/35	90	110	35	1	103000	208000	5000
	RNA4916	90	110	30	1	89000	174000	5000
95	RNA6916	90	110	54	1	135000	300000	5000
	NK 95/26	95	115	26	1	73000	137000	4800
	NK 95/36	95	115	36	1	107000	223000	4800
100	NK 100/26	100	120	26	1	76000	146000	4600
	NK 100/36	100	120	36	1	111000	237000	4600
	RNA 4917	100	120	35	1.1	111000	237000	4600
	RNA 6917	100	120	63	1.1	166000	400000	4600
105	NK 105/26	105	125	26	1	78000	155000	4400
	NK 105/36	105	125	36	1	114000	250000	4400
	RNA 4918	105	125	35	1.1	114000	250000	4400
	RNA6918	105	125	63	1.1	172000	425000	4400



**MONDIALTECH**

Forniture Industriali

Via Raimondo Dalla Costa 240/b  
41100 MODENA - ITALY  
Tel. +39 059 256090 Fax. +39 059 260883  
Codice R.E.A. 354046  
Partita IVA E. Codice Fiscale: 03661810366  
e-Mail: [monditecinfo@mondialtech.net](mailto:monditecinfo@mondialtech.net)  
Web: <http://www.mondialtech.net>



Vasto assortimento di Cuscinetti SKF - FAG

Diam.Albero Shaft Diameter	Cuscinetto No. Bearing No.	Dimensioni - Dimension				Basic Load Ratings		Limiting Speed
		F W	D	C	r s	C	Co	Oil
		mm			Min.	N		rpm
110	NK 110/30	110	130	30	1.1	98000	210000	4200
	NK 110/40	110	130	40	1.1	127000	290000	4200
	RNA 4919	110	130	35	1.1	116000	260000	4200
	RNA 6919	110	130	63	1.1	174000	440000	4200
115	NKS 115	115	135	32	1.1	91000	204000	4000
	RNA 4920	115	140	40	1.1	128000	270000	4000
120	NK 120/40	120	140	40	1.1	113000	275000	3900
	RNA 4822	120	140	30	1	94000	216000	3900
125	RNA 4922	125	150	40	1.1	132000	290000	3700
130	RNA 4824	130	150	30	1	99000	239000	3600
135	RNA 4924	135	165	45	1.1	181000	390000	3400
145	RNA 4826	145	165	35	1.1	118000	310000	3200
150	RNA 4926	150	180	50	1.5	203000	470000	3100
155	NK 155/32	155	180	32	1.5	114000	260000	3000
	RNA 4828	155	175	35	1.1	120000	325000	3000
160	RNA 4928	160	190	50	1.5	209000	500000	2900
165	RNA 4830	165	190	40	1.1	152000	400000	2800
175	RNA 4832	175	200	40	1.1	160000	435000	2700
185	RNA 4834	185	215	45	1.12	185000	510000	2500
195	RNA 4836	195	225	45	1.1	194000	550000	2400
210	RNA 4838	210	240	50	1.5	227000	690000	2300
220	RNA 4840	220	250	50	1.5	230000	720000	2200
240	RNA 4844	240	270	50	1.5	243000	790000	2000
265	RNA 4848	265	300	60	2	355000	1080000	1800
285	RNA 4852	285	320	60	2	370000	1160000	1700
305	RNA 4856	305	350	69	2	450000	1300000	1500
330	RNA 4860	330	380	80	2.1	620000	1770000	1400
350	RNA 4864	350	400	80	2.1	630000	1850000	1300
370	RNA 4868	370	420	80	2.1	640000	1940000	1300
390	RNA 4872	390	440	80	2.1	660000	2020000	1200
415	RNA 4876	415	480	100	2.1	1000000	2900000	1100



**MONDIALTECH**

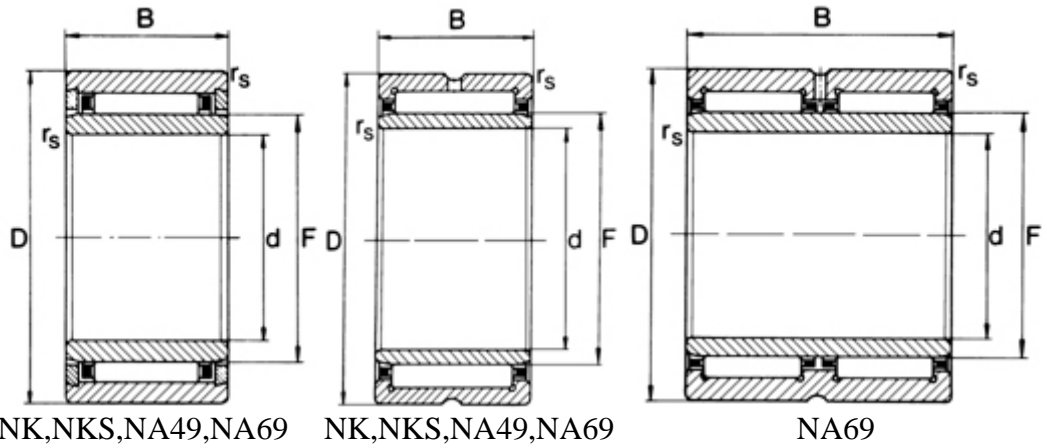
Forniture Industriali

Via Raimondo Dalla Costa 240/b  
41100 MODENA - ITALY  
Tel. +39 059 250090 Fax. +39 059 260083  
Codice R.E.A. 354046  
Partita IVA E. Codice Fiscale: 03061810366  
e-Mail: [mondialtech@mondialtech.net](mailto:mondialtech@mondialtech.net)  
Web: <http://www.mondialtech.net>

Vasto assortimento di Cuscinetti SKF - FAG



**Cuscinetti a Rullini  
con Anello Interno**  
Needle roller  
bearings with  
inner ring



Diam.Albero Shaft Diameter	Cuscinetto No. Bearing No.	Dimensioni - Dimension					Basic Load Ratings		Limiting Speed
		d	F	D	B	r s	C	Co	Oil
mm		mm		Min.			N		rpm
5	NKI 5/12 TN	5	8	15	12	0.3	3950	4100	32000
	NKI 5/16 TN	5	8	15	16	0.3	5100	5800	32000
6	NKI 6/12 TN	6	9	16	12	0.3	4500	5000	31000
	NKI 6/16 TN	6	9	16	16	0.3	5900	7100	31000
	NKIS 6 TN	6	10	19	13	0.3	5800	6000	29000
7	NKI 7/12 TN	7	10	17	12	0.3	4750	5500	29000
	NKI 7/16 TN	7	10	17	16	0.3	6200	7800	29000
	NKIS 7 TN	7	12	22	16	0.6	9600	10400	26000
8	NKIS 8	8	14	25	16	0.6	14400	13800	24000
9	NKI 9/12	9	12	19	12	0.3	6400	7100	27000
	NKI 9/16	9	12	19	16	0.3	9000	11000	27000
	NKIS 9	9	15	26	16	0.6	14400	14000	23000
10	NKI 10/16	10	14	22	16	0.3	10100	11500	25000
	NKI 10/20	10	14	22	20	0.3	12800	15600	25000
	INKIS 10	10	16	28	16	0.6	15700	15800	22000
	NA 4900	10	14	22	13	0.3	8500	9200	25000
12	NKI 12/16	12	16	24	16	0.3	11300	13900	23000
	NKI 12/20	12	16	24	20	0.3	14400	18800	23000
	INKIS 12	12	18	30	16	0.6	16800	17700	21000
	NA 4901	12	16	24	13	0.3	9400	10900	23000
	NA 6901	12	16	24	22	0.3	16000	21600	23000
15	NKI 15/16	15	19	27	16	0.3	13000	17400	22000
	NKI 15/20	15	19	27	20	0.3	16500	23600	22000
	INKIS 15	15	22	35	20	0.6	24500	28000	18000
	NA 4902	15	20	28	13	0.3	10600	13600	21000
	NA 6902	15	20	28	23	0.3	17300	25500	21000
17	NKI 17/16	17	21	29	16	0.3	13500	18700	21000
	NKI 17/20	17	21	29	20	0.3	17100	25500	21000



# MONDIALTECH

Forniture Industriali

Via Raimondo Dalla Costa 240/b  
 41100 MODENA - ITALY  
 Tel. +39 059 250090 Fax. +39 059 260083  
 Codice R.E.A. 354046  
 Partita IVA E. Codice Fiscale: 03061810366  
 e-Mail: [monditecinfo@mondialtech.net](mailto:monditecinfo@mondialtech.net)  
 Web: <http://www.mondialtech.net>



Vasto assortimento di Cuscinetti SKF - FAG

Diam.Albero Shaft Diameter	Cuscinetto No. Bearing No.	Dimensioni - Dimension					Basic Load Ratings		Limiting Speed
		d	F	D	B	r s	C	Co	Oil
		mm		Min.			N		rpm
17	NKIS 17	17	24	37	20	0.6	26000	31000	17000
	NA 4903	17	22	30	13	0.3	11000	14600	20000
20	NA 6903	17	22	30	23	0.3	18600	29000	20000
	NKI 20/16	20	24	32	16	0.3	15000	22300	18000
	NKI 20/20	20	24	32	20	0.3	19000	30500	18000
	NKIS 20	20	28	42	20	0.6	28500	36500	15000
	NA 4904	20	25	37	17	0.3	21000	25500	17000
	NA 6904	20	25	37	30	0.3	36000	51000	17000
22	NKI 22/16	22	26	34	16	0.3	15300	23600	17000
	NKI 22/20	22	26	34	20	0.3	19400	32000	17000
	NA 49/22	22	28	39	17	0.3	22800	29500	15000
	NA 69/22	22	28	39	30	0.3	37500	55000	15000
25	NKI 25/20	25	29	38	20	0.3	21900	34000	15000
	NKI 25/30	25	29	38	30	0.3	32500	57000	15000
	NKIS 25	25	32	47	22	0.6	33500	43500	13000
	NA 4905	25	30	42	17	0.3	23600	31500	14000
	NA 6905	25	30	42	30	0.3	29000	59000	14000
28	NKI 28/20	28	32	42	20	0.3	23100	37500	14000
	NKI 28/30	28	32	42	30	0.3	34500	63000	14000
	NA 49/28	28	32	45	17	0.3	24400	33500	14000
	NA 69/28	28	32	45	30	0.3	40500	63000	14000
30	NKI 30/20	30	35	45	20	0.3	24300	41500	13000
	NKI 30/30	30	35	45	30	0.3	36500	69000	13000
	NKIS 30	30	37	52	22	0.6	36500	50000	12000
	NA 4906	30	35	47	17	0.3	25000	35500	13000
	NA 6906	30	35	47	30	0.3	43500	71000	13000
32	NKI 32/20	32	37	47	20	0.3	24900	43500	12000
	NKI 32/30	32	37	47	30	0.3	37000	73000	12000
	NA 49/32	32	40	52	20	0.6	30500	47500	11000
	NA 69/32	32	40	52	36	0.6	47000	82000	11000
35	NKI 35/20	35	40	50	20	0.3	26000	47000	11000
	NKI 35/30	35	40	50	30	0.3	39000	79000	11000
	NKIS 35	35	43	58	22	0.6	39000	57000	10000
	NA 4907	35	42	55	20	0.6	31500	50000	11000
	NA 6907	35	42	55	36	0.6	48000	86000	11000
38	NKI 38/20	38	43	53	20	0.3	27000	51000	11000
	NKI 38/30	38	43	53	30	0.3	40500	85000	11000
40	NKI 40/20	40	45	55	20	0.3	27500	53000	10000
	NKI 40/30	40	45	55	30	0.3	41000	88000	10000
	NKIS 40	40	50	65	22	1	42500	67000	9000
	NA 4908	40	48	62	22	0.6	43000	67000	9000
	NA 6908	40	48	62	40	0.3	66000	116000	9000
42	NKI 42/20	42	47	57	20	0.3	28500	56000	10000



# MONDIALTECH

Forniture Industriali

Via Raimondo Dalla Costa 240/b  
 41100 MODENA - ITALY  
 Tel. +39 059 256090 Fax. +39 059 260083  
 Codice R.E.A. 354046  
 Partita IVA E. Codice Fiscale: 03061310366  
 e-Mail: [monditecinfo@mondialtech.net](mailto:monditecinfo@mondialtech.net)  
 Web: <http://www.mondialtech.net>



Vasto assortimento di Cuscinetti SKF - FAG

Diam.Albero Shaft Diameter	Cuscinetto No. Bearing No.	Dimensioni - Dimension					Basic Load Ratings		Limiting Speed
		d	F	D	B	r s	C	Co	Oil
		mm		Min.			N		rpm
45	NKI 42/30	42	47	57	30	0.3	43000	94000	10000
	NKI 45/25	45	50	62	25	0.6	38000	74000	9000
	NKI 45/35	45	50	62	35	0.6	50000	106000	9000
	NKIS 45	45	55	72	22	1	45000	74000	8000
	NA 4910	45	52	68	22	0.6	45000	73000	8500
50	NA 6910	45	52	68	40	0.6	69000	127000	8500
	NKI 50/25	50	55	68	25	0.6	40000	82000	8500
	NKI 50/35	50	55	68	35	0.6	53000	118000	8500
	NKIS 50	50	60	80	28	1.1	63000	98000	7500
	NA 4910	50	58	72	22	0.6	47000	80000	8000
55	NA 6910	50	58	72	40	0.6	73000	139000	8000
	NKI 55/25	55	60	72	25	0.6	42000	90000	7500
	NKI 55/35	55	60	72	35	0.6	56000	130000	7500
	NKIS 55	55	65	85	28	1.1	67000	108000	7000
	NA 4911	55	63	80	25	1	58000	100000	7000
60	NA 6911	55	63	80	45	1	90000	176000	7000
	NKI 60/25	60	68	82	25	0.6	43500	89000	7000
	NKI 60/35	60	68	82	35	0.6	62000	139000	7000
	NKIS 60	60	70	90	28	1.1	68000	113000	6500
	NA 4912	60	68	85	25	1	60000	108000	6500
65	NA 6912	60	68	85	45	1	94000	191000	6500
	NKI 65/25	65	73	90	25	1	53000	100000	6500
	NKI 65/35	65	73	90	35	1	75000	156000	6500
	NKIS 65	65	75	95	28	1.1	71000	123000	6000
	NA 4913	65	72	90	25	1	61000	112000	6500
70	NA 6913	65	72	90	45	1	95000	198000	6500
	NKI 70/25	70	80	95	25	1	56000	119000	6000
	NKI 70/35	70	80	95	35	1	78000	184000	6000
	NKIS 70	70	80	100	28	1.1	75000	133000	5500
	NA 4914	70	80	100	30	1	84000	156000	5500
75	NA 6914	70	80	100	54	1	128000	265000	5500
	NKI 75/25	75	85	105	25	1	69000	123000	5500
	NKI 75/35	75	85	105	35	1	98000	193000	5500
	NA 4915	75	85	105	30	1	86000	162000	5500
80	NA 6915	75	85	105	54	1	130000	275000	5500
	NKI 80/25	80	90	110	25	1	72000	132000	5000
	NKI 80/35	80	90	110	35	1	103000	208000	5000
	NA 4916	80	90	110	30	1	89000	174000	5000
85	NA 6916	80	90	110	54	1	135000	300000	5000
	NKI 85/26	85	95	115	26	1	73000	137000	4800
	NKI 85/36	85	95	115	36	1	107000	223000	4800
	NA 4917	85	100	120	35	1.1	111000	237000	4600
	NA 6917	85	100	120	63	1.1	166000	400000	4600





# MONDIALTECH

Forniture Industriali

Via Raimondo Dalla Costa 240/b  
 41100 MODENA - ITALY  
 Tel. +39 059 250090 Fax. +39 059 260083  
 Codice R.E.A. 354046  
 Partita IVA E. Codice Fiscale: 03061310366  
 e-Mail: [monditecinfo@mondialtech.net](mailto:monditecinfo@mondialtech.net)  
 Web: <http://www.mondialtech.net>



Vasto assortimento di Cuscinetti SKF - FAG

Diam.Albero Shaft Diameter	Cuscinetto No. Bearing No.	Dimensioni - Dimension					Basic Load Ratings		Limiting Speed
		d	F	D	B	r s	C	Co	Oil
		mm		Min.			N		rpm
90	NKI 90/26	90	100	120	26	1	76000	146000	4600
	NKI 90/36	90	100	120	36	1	111000	237000	4600
	NA 4918	90	105	125	35	1.1	114000	250000	4400
	NA6918	90	105	125	63	1.1	172000	425000	4400
95	NKI 95/26	95	105	125	26	1	78000	155000	4400
	NKI 95/36	95	105	125	36	1	114000	250000	4400
	NA 4919	95	110	130	35	1.1	116000	260000	4200
	NA 6919	95	110	130	63	1.1	174000	440000	4200
100	NKI 100/30	100	110	130	30	1.1	98000	210000	4200
	NKI 100/40	100	110	130	40	1.1	127000	290000	4200
	NKIS 100	100	115	135	32	1.1	91000	204000	4000
	NA 4920	100	115	140	40	1.1	128000	270000	4000
110	NKI 110/40	110	120	140	40	1.1	113000	275000	3900
	NA 4922	110	125	150	40	1.1	132000	290000	3700
	NA 4822	110	120	140	30	1	94000	216000	3900
120	NA 4924	120	135	165	45	1.1	181000	390000	3400
	NA 4824	120	130	150	30	1	99000	239000	3600
75	NA 4926	130	150	180	50	1.5	203000	470000	3100
	NA 4826	130	145	165	35	1.1	118000	310000	3200
140	NKI 140/32	140	155	180	32	1.5	114000	260000	3000
	NA 4928	140	160	190	50	1.5	209000	500000	2900
	NA 4828	140	155	175	35	1.1	120000	325000	3000
150	NA 4830	150	165	190	40	1.1	152000	400000	2800
160	NA 4832	160	175	200	40	1.1	160000	435000	2700
170	NA 4834	170	185	215	45	1.1	185000	510000	2500
180	NA 4836	180	195	225	45	1.1	194000	550000	2400
190	NA 4838	190	210	240	50	1.5	227000	690000	2300
200	NA 4940	200	220	250	50	1.5	230000	720000	2200
220	NA 4844	220	240	270	50	1.5	243000	790000	2000
240	NA 4848	240	265	300	60	2	355000	1080000	1800
260	NA 4852	260	285	320	60	2	370000	1160000	1700
280	NA 4856	280	305	350	69	2	450000	1300000	1500
300	NA 4860	300	330	380	80	2.1	620000	1770000	1400
320	NA 4864	320	350	400	80	2.1	630000	1850000	1300
340	NA 4868	340	370	420	80	2.1	640000	1940000	1300
360	NA 4872	360	390	440	80	2.1	660000	2020000	1200
380	NA 4876	380	415	480	100	2.1	100000	2900000	1100





**MONDIALTECH**

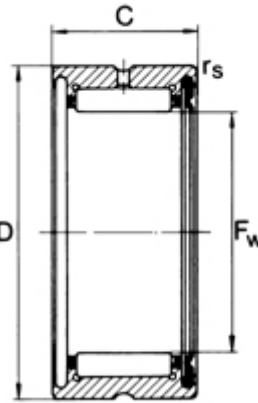
Forniture Industriali

Via Raimondo Dalla Costa 240/b  
 41100 MODENA - ITALY  
 Tel. +39 059 250090 Fax: +39 059 260083  
 Codice R.E.A. 354046  
 Partita IVA E. Codice Fiscale: 03061810366  
 e-Mail: [monditech@monditech.net](mailto:monditech@monditech.net)  
 Web: <http://www.monditech.net>

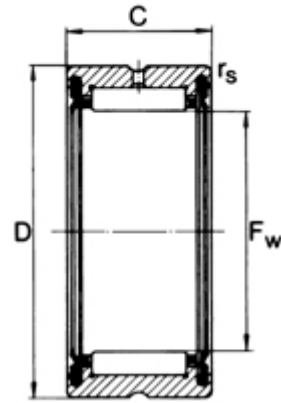
Vasto assortimento di Cuscinetti SKF - FAG



**Cuscinetto a Rullini con Anello interno**  
**Needle roller bearings with inner ring**



**RNA49..RS**



**RNA49..2RS**

Diam.Albero Shaft Diameter	Cuscinetto No, - Bearing No,		Dimensioni - Dimension				Basic Load Ratings		Limiting Speed
	RNA 49..RS	RNA 49..2RS	Fw	D	C	r s	C	Co	Oil
mm	Singola tenuta Single sealed	Doppia tenuta Double sealed							
14	RNA 4900 RS	RNA 4900.2RS	14	22	13	0.3	6800	6900	13000
16	RNA 4901 RS	RNA 4901.2RS	16	24	13	0.3	7600	8300	12000
20	RNA 4902 RS	RNA 4902.2RS	20	28	13	0.3	8600	10300	10000
22	RNA 4903 RS	RNA 4903.2RS	22	30	13	0.3	8800	11000	9000
25	RNA 4904 RS	RNA 4904.2RS	25	37	17	0.3	17300	19900	7500
30	RNA 4905 RS	RNA 4905.2RS	30	42	17	0.3	19300	24200	6500
35	RNA 4906 RS	RNA 4906.2RS	35	47	17	0.3	21100	28500	5500
42	RNA 4907 RS	RNA 4907.2RS	42	55	20	0.6	26500	39500	4800
48	RNA 4908 RS	RNA 4908.2RS	48	62	22	0.6	36000	53000	4200
52	RNA 4909 RS	RNA 4909.2RS	52	68	22	0.6	38000	59000	3900
58	RNA 4910 RS	RNA 4910.2RS	58	72	22	0.6	40000	64000	3500



**MONDIALTECH**

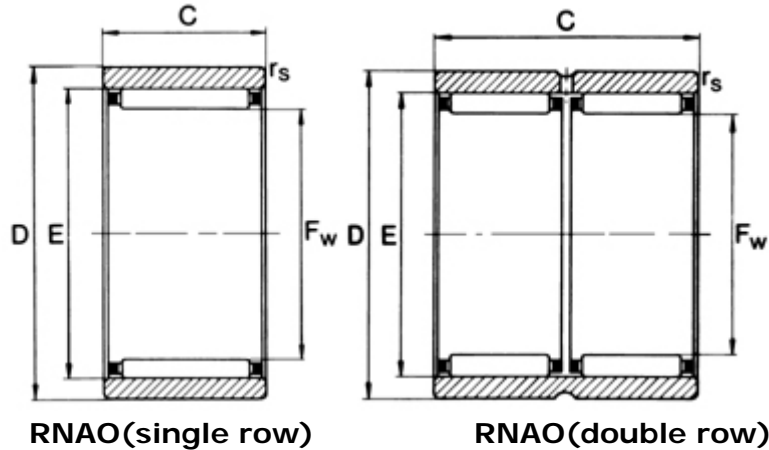
Forniture Industriali

Via Raimondo Dalla Costa 240/b  
 41100 MODENA - ITALY  
 Tel. +39 059 250090 Fax. +39 059 260083  
 Codice R.E.A. 354046  
 Partita IVA E. Codice Fiscale: 03061810366  
 e-Mail: [mondialtech@mondialtech.net](mailto:mondialtech@mondialtech.net)  
 Web: <http://www.mondialtech.net>



Vasto assortimento di Cuscinetti SKF - FAG

**Cuscinetti a Rullini  
 Needle roller bearings  
 without ribs without  
 inner ring**



**RNAO(single row)**

**RNAO(double row)**

Diam. Albero Shaft Diameter	Cuscinetto No. Bearing No. Fw D C	Dimensioni - Dimension					Basic Load Ratings		Limiting Speed	
		E	D 1	d 2	D 2	r s	C	Co	n 1 oil	
mm		mm					min.	N		min -1
5	RNAO 5X10X 8 TN	8	5.3	7.7	8.3	0.15	2350	1920	39000	
6	RNAO 6X13X 8 TN	9	6.3	8.7	9.3	0.3	2600	2280	37000	
7	RNAO 7X14X 8 TN	10	7.3	9.7	10.3	0.3	2850	2650	34000	
8	RNAO 8X15X10 TN	11	8.3	10.7	11.3	0.3	3950	4100	32000	
10	RNAO 10X17X10 TN	13	10.3	12.7	13.3	0.3	4750	5500	29000	
12	RNAO 12X19X13.5 TN	15	12.3	14.7	15.3	0.3	6400	8500	27000	
	RNAO 12X22X12 TN	18	12.3	17.6	18.3	0.3	10000	9900	26000	
15	RNAO 15X23X13	19	15.4	18.6	19.3	0.3	8500	10900	24000	
16	RNAO 16X24X13	20	16.4	19.6	20.3	0.3	8900	11800	24000	
	RNAO 16X24X20	20	16.4	19.6	20.3	0.3	13300	19800	24000	
	RNAO 16X28X12	22	16.4	21.6	22.3	0.3	11500	12500	23000	
17	RNAO 17X25X13	21	17.4	20.6	21.3	0.3	10400	14600	23000	
18	RNAO 18X30X24	24	18.4	23.6	24.5	0.3	20100	26500	22000	
20	RNAO 20X28X13	24	20.4	23.6	24.3	0.3	9800	14300	21000	
	RNAO 20X28X26	24	20.4	23.6	24.3	0.3	16800	28500	21000	
	RNAO 20X32X12	26	20.4	25.6	26.5	0.3	13400	16200	21000	
22	RNAO 22X30X13	26	22.4	25.6	26.3	0.3	10400	15900	20000	
	RNAO 22X35X16	29	22.4	28.4	29.5	0.3	20000	25500	19000	
25	RNAO 25X35X17	29	25.6	28.4	29.5	0.3	14900	26000	18000	
	RNAO 25X35X26	29	25.6	28.4	29.5	0.3	19400	37000	18000	
	RNAO 25X37X16	32	25.6	31.4	32.5	0.3	21000	28000	17000	
	RNAO 25X37X32	32	25.6	31.4	32.5	0.3	36000	56000	17000	
26	RNAO 26X39X13	30	26.6	29.4	30.5	0.3	11600	19200	18000	
30	RNAO 30X40X17	35	30.6	34.4	35.5	0.3	19600	34000	15000	
	RNAO 30X40X26	35	30.6	34.4	35.5	0.3	27000	51000	15000	



# MONDIALTECH

Forniture Industriali

Via Raimondo Dalla Costa 240/b  
 41100 MODENA - ITALY  
 Tel. +39 059 250090 Fax: +39 059 260083  
 Codice R.E.A. 354046  
 Partita IVA E. Codice Fiscale: 03061810366  
 e-Mail: [monditecinfo@mondialtech.net](mailto:monditecinfo@mondialtech.net)  
 Web: <http://www.mondialtech.net>



Vasto assortimento di Cuscinetti SKF - FAG

Diam. Albero Shaft Diameter	Cuscinetto No. Bearing No.	Dimensioni - Dimension					Basic Load Ratings		Limiting Speed
		E	D 1	d 2	D 2	r s	C	Co	
mm	Fw D C	mm					min.	N	min -1
	RNAO 30X42X16	37	30.6	36.4	37.5	0.3	23100	33500	15000
	RNAO 30X42X32	37	30.6	36.4	37.5	0.3	39500	67000	15000
35	RNAO 35X45X13	40	35.6	39.4	40.5	0.3	16200	28000	13000
	RNAO 35X45X17	40	35.6	39.4	40.5	0.3	20800	38500	13000
	RNAO 35X45X26	40	35.6	39.4	40.5	0.3	27500	56000	13000
	RNAO 35X47X16	42	35.6	41.4	42.5	0.3	24400	37500	13000
	RNAO 35X47X18	42	35.6	41.4	42.5	0.3	27500	43000	13000
	RNAO 35X47X32	42	35.6	41.4	42.5	0.3	42000	75000	13000
37	RNAO 37X52X18	44	37.6	43.4	42.5	0.3	28000	45500	12000
40	RNAO 40X50X17	45	40.6	44.4	45.5	0.3	21400	41500	12000
	RNAO 40X50X34	45	40.6	44.4	45.5	0.3	36500	83000	12000
	RNAO 40X55X20	47	40.6	46.2	47.5	0.3	32500	57000	11000
	RNAO 40X55X40	48	40.6	47.2	47.5	0.3	62000	118000	11000
42	RNAO 42X57X20	50	42.6	49.2	50.5	0.3	36000	59000	11000
45	RNAO 45X55X17	50	45.6	49.2	50.5	0.3	22500	46000	10000
	RNAO 45X62X40	53	45.6	52.2	53.5	0.3	67000	135000	10000
50	RNAO 50X62X20	55	50.6	54.2	55.8	0.3	26500	60000	9500
	RNAO 50X65X20	58	50.6	57.2	58.5	0.3	35500	62000	9000
	RNAO 50X65X40	58	50.6	57.2	58.5	0.6	61000	124000	9000
55	RNAO 55X68X20	60	55.8	59.4	60.8	0.6	28500	66000	8500
60	RNAO 60X78X20	68	60.8	67.2	68.8	1	43500	85000	7500
	RNAO 60X78X40	68	60.8	67.2	68.8	1	75000	171000	7500
65	RNAO 65X85X30	73	66	72.2	73.8	1	57000	123000	7000
70	RNAO 70X90X30	78	71	77.2	78.8	1	60000	135000	6500
80	RNAO 80X100X30	88	81	87.2	89	1	72000	179000	6000
85	RNAO 85X105X26	93	86	92.2	94	1	57000	136000	5500
90	RNAO 90X105X26	98	91	97.2	99	1	61000	150000	5000
	RNAO 90X110X30	98	91	97.2	99	1	68000	172000	5000
100	RNAO 100X120X30	108	101	107.2	109	1	71000	188000	4700



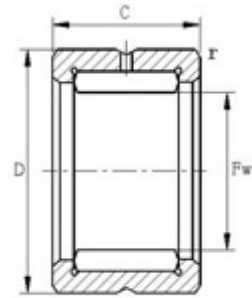
**MONDIALTECH**  
Forniture Industriali

Via Raimondo Dalla Costa 240/b  
41100 MODENA - ITALY  
Tel. +39 059 250090 Fax. +39 059 260083  
Codice R.E.A. 354046  
Partita IVA E. Codice Fiscale: 03061810366  
e-Mail: [mondialtech@mondialtech.net](mailto:mondialtech@mondialtech.net)  
Web: <http://www.mondialtech.net>

Vasto assortimento di Cuscinetti SKF - FAG

LK  
CSC  
MONDIAL

**Cuscinetti a Rullini**  
**Needle roller bearings with inner**  
**ring without cage**



RNAV49

Diam. Albero Shaft Diameter	Cuscinetto No. Bearing No.	Dimensioni - Dimension				Basic Load Ratings		Limiting Speed rpm
		Fw	D	C	r min.	Cr	Cor	
mm		mm				N		
20	RNAV4902	20	28	13	0.3	8.5	9.2	20000
22	RNAV4903	22	30	13	0.3	9.4	10.9	17000
25	RNAV4904	25	37	17	0.3	10.6	13.6	14000
30	RNAV4905	30	42	17	0.3	11	14.6	12000
35	RNAV4906	35	47	17	0.3	21	25.5	11000
42	RNAV4907	42	55	20	0.6	22.8	29.5	9500
48	RNAV4908	48	62	22	0.6	23.6	31.5	9500
52	RNAV4909	52	68	22	0.6	24.4	33.5	8500
58	RNAV4910	58	72	22	0.6	25	35.5	8000
68	RNAV4912	68	85	25	1	30.5	47.5	7000
80	RNAV4914	80	100	30	1	31.5	50	7000
90	RNAV4916	90	110	30	1	43	67	6000
105	RNAV4918	105	125	35	1.1	45	73	5500
110	RNAV4919	110	130	35	1.1	47	80	5000
115	RNAV4920	115	140	40	1.1	58	100	4700
125	RNAV4922	125	150	40	1.1	60	108	4300
135	RNAV4924	135	165	45	1.1	61	112	4100
150	RNAV4926	150	180	50	1.5	84	156	4000



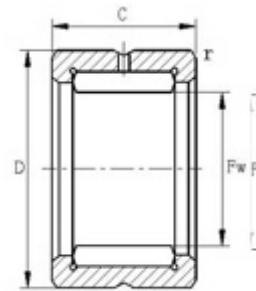
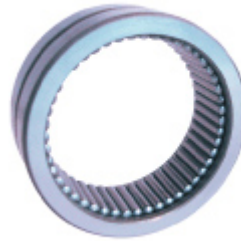
**MONDIALTECH**  
Forniture Industriali

Via Raimondo Dalla Costa 240/b  
41100 MODENA - ITALY  
Tel. +39 059 250090 Fax: +39 059 260083  
Codice R.E.A. 354046  
Partita IVA E. Codice Fiscale: 03061810366  
e-Mail: [monditecinfo@mondialtech.net](mailto:monditecinfo@mondialtech.net)  
Web: <http://www.mondialtech.net>

Vasto assortimento di Cuscinetti SKF - FAG

LK  
CSC  
MONDIAL

## Cuscinetti a Rullini Needle roller bearings without inner ring and cage



RNAV40

Diam.Albero Shaft Diameter	Cuscinetto No. Bearing No.	Peso Mass g	Dimensioni - Dimension				Basic Load Ratings		Limiting Speed rpm
			Fw	D	C	r min.	Cr	Cor	
mm			Mm				N		
24.3	RNAV4003	62	24.3	35	18	0.3	12	17	3400
28.7	RNAV4004	114	28.7	42	22	0.6	14.5	29.6	3000
33.5	RNAV4005	129	33.5	47	22	0.6	23.3	34.6	2600
40.1	RNAV4006	193	40.1	55	25	1	28.5	46.9	2000
45.9	RNAV4007	259	45.9	62	27	1	33.5	59.9	1800
51.6	RNAV4008	304	51.6	68	28	1	35.8	67	1700
57.4	RNAV4009	390	57.4	75	30	1	41.3	74	1500
62.1	RNAV4010	426	62.1	80	30	1	42.8	88.9	1400
69.8	RNAV4011	645	69.8	90	35	1.1	48.9	109	1300
74.6	RNAV4012	700	74.6	95	35	1.1	50.7	116	1100
80.3	RNAV4013	720	80.3	100	35	1.1	59.4	126	1000
88	RNAV4014	982	88	110	40	1.1	72.4	155	950
92.7	RNAV4015	1025	92.7	115	40	1.1	74.1	164	900
100.3	RNAV4016	1440	100.3	125	45	1.1	82.3	174.1	900
104.8	RNAV4017	-	104.8	130	45	1.1	-	-	900



**MONDIALTECH**

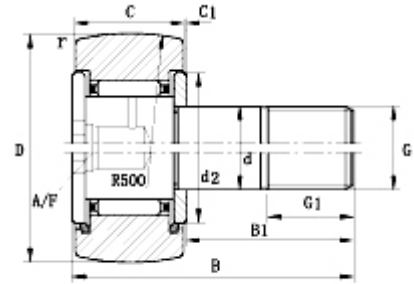
Forniture Industriali

Via Raimondo Dalla Costa 240/b  
41100 MODENA - ITALY  
Tel. +39 059 250090 Fax: +39 059 260083  
Codice R.E.A. 354046  
Partita IVA E. Codice Fiscale: 03061810366  
e-Mail: [mondialtech@mondialtech.net](mailto:mondialtech@mondialtech.net)  
Web: <http://www.mondialtech.net>

Vasto assortimento di Cuscinetti SKF - FAG



**Perni Folli**  
**Stud type track roller bearings**



KR. KR.PP

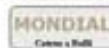
Diam. Esterno Outside Diameter	Sigla Designation	Peso Mass g	Con Anello Eccentrico With Eccentric Collar	Peso Mass g	Dimensioni - Dimensions											Basic Load Ratings		Limiting Speed rpm	Anello Eccentrico Eccentric Collar			Momento Torcente del dado Tightening Torque With Nut Nm		
					D	d <sub>h7</sub>	C	r min	B	B1	B2	G	G1	A/F	M1	C1	d2		Cr KN	Cor KN	d1 <sub>h9</sub>		B3	e
16	KR16	18	KRE16	20	16	6	11	0.15	28	16	--	M6×1	8	4	--	0.6	12	3.15	3.3	14000	9	7	0.5	3
	KRV16	20	KRVE16	22	16	6	11	0.15	28	16	--	M6×1	8	4	--	0.6	12	4.85	6.5	3800	9	7	0.5	3
19	KR19	28	KRE19	31	19	8	11	0.15	32	20	--	M8×1.25	10	4	--	0.6	14	3.5	3.9	11000	11	9	0.5	8
	KRV19	32	KRVE19	35	19	8	11	0.15	32	20	--	M8×1.25	10	4	--	0.6	14	5.5	7.9	3100	11	9	0.5	8
22	KR22	44	KR22	48	22	10	12	0.3	36	23	--	M10×1	12	4	--	0.6	17	4.45	5.2	8000	13	10	0.5	15
	KRV22	45	KRV22	49	22	10	12	0.3	36	23	--	M10×1	12	4	--	0.6	17	6.3	9.1	2600	13	10	0.5	15
26	KR26	58	KR26	62	26	10	12	0.3	36	23	--	M10×1	12	4	--	0.6	17	5.1	6.2	8000	13	10	0.5	15
	KRV26	61	KRV26	65	26	10	12	0.3	36	23	--	M10×1	12	4	--	0.6	17	7.3	11.3	2600	13	10	0.5	15
30	KR30	87	KR30	93	30	12	14	0.6	40	25	6	M12×1.5	13	6	3	0.6	23	6.8	8.4	5500	15	11	0.5	22
	KRV30	89	KRV30	95	30	12	14	0.6	40	25	6	M12×1.5	13	6	3	0.6	23	9.5	14.6	2100	15	11	0.5	22
32	KR32	98	KR32	104	32	12	14	0.6	40	25	6	M12×1.5	13	6	3	0.6	23	7.1	9	5500	15	11	0.5	22
	KRV32	100	KRV32	106	32	12	14	0.6	40	25	6	M12×1.5	13	6	3	0.6	23	10	15.8	2100	15	11	0.5	22
35	KR35	169	KR35	182	35	16	18	0.6	52	32.5	8	M16×1.5	17	6	3	0.8	27	9.7	14.1	3600	20	14	1	58
	KRV35	171	KRV35	184	35	16	18	0.6	52	32.5	8	M16×1.5	17	6	3	0.8	27	12.8	23	1600	20	14	1	58
40	KR40	247	KR40	263	40	18	20	1	58	36.5	8	M18×1.5	19	6	3	0.8	32	10.9	15.5	2900	22	16	1	87
	KRV40	249	KRV40	265	40	18	20	1	58	36.5	8	M18×1.5	19	6	3	0.8	32	14.8	26.5	1400	22	16	1	87
47	KR47	386	KR47	406	47	20	24	1	66	40.5	9	M20×1.5	21	8	4	0.8	37	15.5	25.5	2400	24	18	1	120
	KRV47	409	KRV47	423	47	20	24	1	66	40.5	9	M20×1.5	21	8	4	0.8	37	20.6	42	1400	24	18	1	120
52	KR52	461	KR52	481	52	20	24	1	66	40.5	9	M20×1.5	21	8	4	0.8	37	16.8	29	2400	24	18	1	120
	KRV52	484	KRV52	504	52	20	24	1	66	40.5	9	M20×1.5	21	8	4	0.8	37	20.6	42	1300	24	18	1	120
62	KR62	790	KR62	818	62	24	29	1	80	49.5	11	M24×1.5	25	14	4	0.8	44	26.5	48	1900	28	22	1	220



**MONDIALTECH**

Forniture Industriali

Via Raimondo Dalla Costa 240/b  
 41100 MODENA - ITALY  
 Tel. +39 059 250090 Fax. +39 059 260083  
 Codice R.E.A. 354046  
 Partita IVA E. Codice Fiscale: 03061810366  
 e-Mail: [mondialtech@mondialtech.net](mailto:mondialtech@mondialtech.net)  
 Web: <http://www.mondialtech.net>



Vasto assortimento di Cuscinetti SKF - FAG

Diam. Esterno Outside Diameter	Sigla Designation	Peso Mass g	Con Anello Eccentrico With Eccentric Collar	Peso Mass g	Dimensioni - Dimensions														Basic Load Ratings		Limiting Speed rpm	Anello Eccentrico Collar			Momento del dado Tightening Torque With Nut Nm
					D	d <sub>h7</sub>	C	r min	B	B1	B2	G	G1	A/F	M1	C1	d2	Cr KN	Cor KN	d1 <sub>h9</sub>		B3	e		
72	KRV62	802	KRV62	830	62	24	29	1	80	49.5	11	M24×1.5	25	14	4	0.8	44	34	76	1100	28	22	1	220	
	KR72	1040	KR72	--	72	24	29	1.1	80	49.5	11	M24×1.5	25	14	4	0.8	44	28	53	1900	28	22	1	220	
	KRV72	1045	KRV72	--	72	24	29	1.1	80	49.5	11	M24×1.5	25	14	4	0.8	44	37	85	1100	28	22	1	220	
80	KR80	1550	KR80	--	80	30	35	1.1	100	63	15	M30×1.5	32	14	4	1	53	39.5	77	1300	35	29	1.5	450	
	KRV80	1561	KRV80	--	80	30	35	1.1	100	63	15	M30×1.5	32	14	4	1	53	49.5	120	850	35	29	1.5	450	
90	KR90	1950	KR90	--	90	30	35	1.1	100	63	15	M30×1.5	32	14	4	1	53	41.5	83	1300	35	29	1.5	450	
	KRV90	1970	KRV90	--	90	30	35	1.1	100	63	15	M30×1.5	32	14	4	1	53	53	130	850	35	29	1.5	450	



**MONDIALTECH**

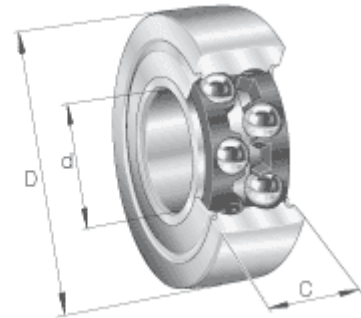
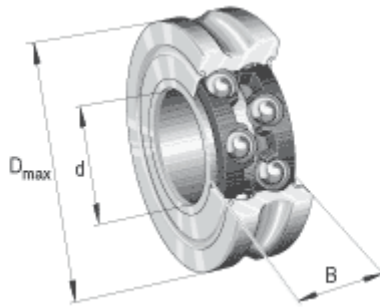
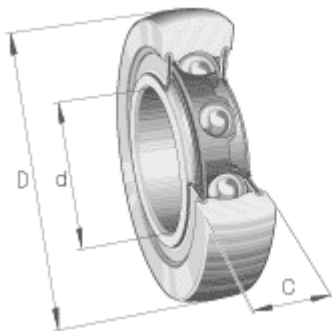
Forniture Industriali

Via Raimondo Dalla Costa 240/b  
41100 MODENA - ITALY  
Tel. +39 059 256090 Fax. +39 059 246083  
Codice R.E.A. 354046  
Partita IVA E Codice Fiscale: 03061810366  
e-Mail: [mondialtech@mondialtech.net](mailto:mondialtech@mondialtech.net)  
Web: <http://www.mondialtech.net>

Vasto assortimento di Cuscinetti SKF - FAG



**Rotelle - Track rollers**



Dimensioni Dimension			Sigla - Designation		Carico - Load rating	
d	D(Dmax)	B			C, dyn. N	C, stat. N
5	17	7		LR 50/5 NPPU	1650	950
	17	8		LFR 50/5 KDD	1610	890
6	19	9		LR 50/6 NPPU	2650	1310
7	22	10		LR 50/7 NPPU	3300	1690
8	24	11		LR 50/8 NPPU	4200	2360
	24	11		LFR 50/8 NPPU		
10	28	8	LR 6000 NPPU			
	32	9	LR 200 NPP(NPPU)			
	28	12		LR 5000 NPPU	4750	2850
	32	14		LR 5200 NPPU(KDDU)	4750	2850
12	30	8	LR 6001 NPPU			
	35	10	LR 201 NPP(NPPU)			
	30	12		LR 5001 NPPU	4950	3100
	35	15.9		LR 5201 NPPU(KDDU)	8600	5100
	42	19		LR 5301 NPPU(KDDU)	11300	7100
	35	15.9		LFR 5201 KDD	8500	5100
	35	15.9		LFR 5201-12 KDD	8300	5000
15	42	19		LFR 5301 KDD	13000	7700
	35	9	LR 6002 NPPU			
	40	11	LR 202 NPP(NPPU)			
	35	13		LR 5002 NPPU	6500	4100
	40	15.9		LR 5202 NPPU(KDDU)	9800	6200
	47	19		LR 5302 NPPU(KDDU)	14600	9200
17	47	19		LFR 5302 KDD		
	40	10	LR 6003 NPPU			
	47	12	LR 203 NPP(NPPU)			
	40	14		LR 5003 NPPU	7700	5200
	47	17.5		LR 5203 NPPU(KDDU)	12600	8200
20	52	22.2		LR 5303 NPPU(KDDU)	17200	11100
	47	12	LR 6004 NPPU			
	52	14	LR 204 NPP(NPPU)			
	47	16		LR 5004 NPPU	11500	7700
	52	20.6		LR 5204 NPPU(KDDU)	15800	10500
	62	22.2		LR 5304 NPPU(KDDU)	21100	14500
25	52	22.6		LFR 5204-16 KDD	14600	9500
	62	15	LR 205 NPP(NPPU)			
	52	16		LR 5005 NPPU	11600	8100
	62	20.6		LR 5205 NPPU(KDDU)	18500	13000
	72	25.4		LR 5305 NPPU(KDDU)	27500	19500
72	25.8		LFR 5206-20 KDD	23400	16600	





**MONDIALTECH**

Forniture Industriali

Via Raimondo Dalla Costa 240/b  
 41100 MODENA - ITALY  
 Tel. +39 059 250090 Fax+39 059 260083  
 Codice R.E.A. 354046  
 Partita IVA E. Codice Fiscale: 03061810366  
 e-Mail: [monditecinfo@mondialtech.net](mailto:monditecinfo@mondialtech.net)  
 Web: <http://www.mondialtech.net>

Vasto assortimento di Cuscinetti SKF - FAG



Dimensioni Dimension			Sigla - Designation	Carico - Load rating		
d	D(Dmax)	B		C, dyn. N	C, stat. N	
	72	25.8		LFR 5206-25 KDD	23100	16400
30	72	16	LR 206 NPP(NPPU)			
	62	19		LR 5006 NPPU	15800	11800
	72	23.8		LR 5206 NPPU(KDDU)	24600	21400
	80	30.2		LR 5306 NPPU(KDDU)	36500	26500
	80	29		LFR 5207-30 KDD	28500	20800
35	80	17	LR 207 NPP(NPPU)			
	68	20		LR 5007 NPPU	17600	13100
	80	27		LR 5207 NPPU(KDDU)	30500	22400
	90	34.9		LR 5307 NPPU(KDDU)	44500	33000
40	85	18	LR 208 NPP(NPPU)			
	75	21		LR 5008 NPPU	18400	14600
	85	30.2		LR 5208 NPPU(KDDU)	34500	25500
	100	36.5		LR 5308 NPPU(KDDU)	56000	42000
	98	38		LFR 5208-40 KDD	38500	29000
45	90	19	LR 209 NPP(NPPU)			



**MONDIALTECH**  
Forniture Industriali

Via Raimondo Dalla Costa 240/b  
41100 MODENA - ITALY  
Tel. +39 059 250090 Fax. +39 059 260083  
Codice R.E.A. 354046  
Partita IVA E. Codice Fiscale: 03061810366  
e-Mail: [monditecinfo@mondialtech.net](mailto:monditecinfo@mondialtech.net)  
Web: <http://www.mondialtech.net>

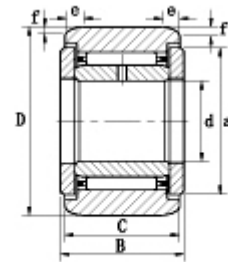
Vasto assortimento di Cuscinetti SKF - FAG

**LK**  
Pagamenti di Qualità

**CSC**  
Cuscinetti Standard

**MONDIAL**  
Cuscinetti a Rulli

**Rotelle orientabili a rullini**  
**Thrust angular contact ball bearings**

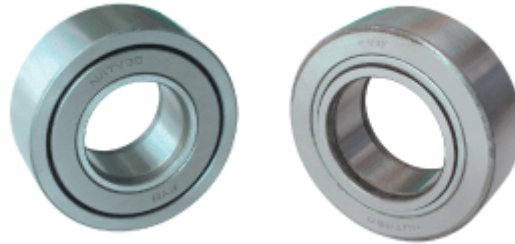


NAST.ZZ

Diam.Albero Shaft Diameter	Sigla Designation	Peso Mass	Dimensioni - Dimensions								Basic Load Ratings		Limiting Speed nl grease ≈
			d	D	B	C	d1	a	e	rs	Cr	Cor	
mm		g	mm								min.	N	rpm
6	NAST 6ZZ	24.5	6	19	14	13.8	14	2.5	0.8	0.5	36000	29000	17000
8	NAST 8ZZ	39	8	24	14	13.8	17.5	2.5	0.8	1	49000	38000	14000
10	NAST 10ZZ	65	10	30	16	15.8	23.5	2.5	0.8	1.5	85000	64000	12000
12	NAST 12ZZ	75	12	32	16	15.8	25.5	2.5	0.8	1.5	91000	71000	11000
15	NAST 15ZZ	83	15	35	16	15.8	29	2.5	0.8	1.5	108000	92000	8500
17	NAST 17ZZ	136	17	40	20	19.8	32.5	3	1	1.5	153000	134000	7500
20	NAST 20ZZ	195	20	47	20	19.8	38	3	1	1.5	169000	155000	7000
25	NAST 25ZZ	226	25	52	20	19.8	43	3	1	1.5	180000	179000	5500
30	NAST 30ZZ	402	30	62	25	24.8	50.5	4	1.2	1.5	265000	285000	4500
35	NAST 35ZZ	550	35	72	25	24.8	53.5	4	1.2	1.5	280000	315000	4000
40	NAST 40ZZ	710	40	80	26	25.8	61.5	4	1.2	2	310000	380000	3500
45	NAST 45ZZ	760	45	85	26	25.8	66.5	4	1.2	2	325000	410000	3000
50	NAST 50ZZ	830	50	90	26	25.8	76	4	1.2	2	335000	442000	3000



## Rotelle a Rulli con gioco ridotto Yoke type track roller bearings



Diam. Albero shaft Diameter	Sigla Designation	Peso Mass	Sigla Designation	Peso Mass	Dimensioni - Dimensions						Basic Load Ratings		Limiting Speed rpm
		g		g	d	D	B	C	d 1	min. r s	Radial	Axial	
mm					Mm						N		
5	NATR5	14	NATR5PP	14	5	16	12	11	12	0.15	3150	3300	14000
	NATV5	15	NATV5PP	15	5	16	12	11	12	0.15	4850	6500	3800
6	NATR6	20	NATR6PP	20	6	19	12	11	14	0.15	3500	3900	11000
	NATV6	21	NATV6PP	21	6	19	12	11	14	0.15	5500	7900	3100
8	NATR8	41	NATR8PP	41	8	24	15	14	19	0.3	5500	6400	7500
	NATV8	42	NATV8PP	42	8	24	15	14	19	0.3	7800	11400	2500
10	NATR10	64	NATR10PP	64	10	30	15	14	23	0.6	6800	8400	5500
	NATV10	65	NATV10PP	65	10	30	15	14	23	0.6	9500	14600	2100
12	NATR12	71	NATR12PP	71	12	32	15	14	25	0.6	6900	8800	4500
	NATV12	72	NATV12PP	72	12	32	15	14	25	0.6	9700	15400	1800
15	NATR15	103	NATR15PP	103	15	35	19	18	27	0.6	9700	14100	3600
	NATV15	105	NATV15PP	105	15	35	19	18	27	0.6	12800	23000	1600
17	NATR17	144	NATR17PP	144	17	40	21	20	32	1	10900	15500	2900
	NATV17	152	NATV17PP	152	17	40	21	20	32	1	14800	26500	1400
20	NATR20	246	NATR20PP	246	20	47	25	24	37	1	15500	25500	2400
	NATV20	254	NATV20PP	254	20	47	25	24	37	1	20600	42000	1300
25	NATR25	275	NATR25PP	275	25	52	25	24	42	1	15400	26500	1800
	NATV25	285	NATV25PP	285	25	52	25	24	42	1	20500	44000	1000
30	NATR30	470	NATR30PP	470	30	62	29	28	51	1	23600	38500	1300
	NATV30	481	NATV30PP	481	30	62	29	28	51	1	30500	62000	850
35	NATR35	635	NATR35PP	635	35	72	29	28	58	1.1	25500	44500	1000
	NATV35	647	NATV35PP	647	35	72	29	28	58	1.1	33000	73000	750
40	NATR40	805	NATR40PP	805	40	80	32	30	66	1.1		59000	850
	NATV40	890	NATV40PP	890	40	80	32	30	66	1.1	41000	90000	650
45	NATR45	910	NATR45PP	910	45	85	32	30	72	1.1	32500	59000	750
	NATV45	935	NATV45PP	935	45	85	32	30	72	1.1	--	--	--
50	NATR50	960	NATR50PP	960	50	90	32	30	76	1.1	32000	59000	650
	NATV50	990	NATV50PP	990	50	90	32	30	76	1.1	40500	93000	550



**MONDIALTECH**

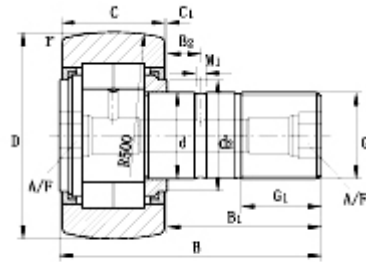
Forniture Industriali

Via Raimondo Dalla Costa 240/b  
 41100 MODENA - ITALY  
 Tel. +39 059 256090 Fax: +39 059 260883  
 Codice R.E.A. 354046  
 Partita IVA E. Codice Fiscale: 03061310366  
 e-Mail: [mondialtech@mondialtech.net](mailto:mondialtech@mondialtech.net)  
 Web: <http://www.mondialtech.net>



Vasto assortimento di Cuscinetti SKF - FAG

**Perni Folli**  
**Yoke type track roller**  
**bearings**



NUKR

Diam. Esterno Outside Diameter	Sigla Designation	Peso Mass	Con Collare Eccentrico With Eccentric Collar	Peso Mass	Dimensioni - Dimensions													Basic Load Ratings				Limiting Speed Grease	Collare Eccentrico Eccentric Collar			Momento Torcente Tightening Torque
					D	d	C	r	B	B1	B2	G	G <sub>1</sub>	M1	C1	d2	A/F	Cr Dynamic	Cor Static	Fr perm Dynamic	For perm Static		d1	B3	e	
mm		g		g	min.													KN	KN	KN	KN					Nm
35	NUKR35	164	-	-	35	16	18	0.6	52	32.5	8	M16×1.5	17	3	0.8	20	8	15	16.8	8.6	16.8	6500	20	12	1	58
35	-	-	NUKRE35	177	35	16	18	0.6	52	32.5	8	M16×1.5	17	3	3.8	27	8	15	16.8	8.6	16.8	6500	20	12	1	58
40	NUKR40	242	-	-	40	18	20	1	58	36.5	8	M18×1.5	19	3	0.8	22	8	18.4	22.6	13.1	22.6	4500	22	14	1	87
40	-	-	NUKRE40	258	40	18	20	1	58	36.5	8	M18×1.5	19	3	3.8	30	8	18.4	22.6	13.1	22.6	4500	22	14	1	87
47	NUKR47	380	NUKRE47	0.4	47	20	24	1	66	40.5	9	M20×1.5	21	4	0.8	27	10	28	35	16.4	33	4200	24	18	1	120
52	NUKR52	450	NUKRE52	470	52	20	24	1	66	40.5	9	M20×1.5	21	4	0.8	31	10	29	37.5	17.3	34.5	3400	24	18	1	120
62	NUKR62	795	NUKRE62	824	62	24	28	1	80	49.5	11	M24×1.5	25	4	1.3	38	14	40	50	23.5	46.5	2600	28	22	1	220
72	NUKR72	1020	NUKRE72	1050	72	24	28	1.1	80	49.5	11	M24×1.5	25	4	1.3	44	14	44.5	60	32	60	2100	28	22	1	220
80	NUKR80	1.6	NUKRE80	1670	80	30	35	1.1	0.1	63	15	M30×1.5	32	4	1	47	14	69	98	47.5	96	1800	35	29	1.5	450
85	NUKR85	1790	NUKRE85	1860	85	30	35	1.1	0.1	63	15	M30×1.5	32	4	1	47	14	--	--	--	--	1800	35	29	1.5	450
90	NUKR90	1960	NUKRE90	2020	90	30	35	1.1	0.1	63	15	M30×1.5	32	4	1	47	14	79	117	77	117	1800	35	29	1.5	450



**MONDIALTECH**

Forniture Industriali

Via Raimondo Dalla Costa 240/b  
41100 MODENA - ITALY  
Tel. +39 059 256090 Fax. +39 059 260883  
Codice R.E.A. 354046  
Partita IVA E. Codice Fiscale: 03661810366  
e-Mail: [mondialtech@mondialtech.net](mailto:mondialtech@mondialtech.net)  
Web: <http://www.mondialtech.net>

Vasto assortimento di Cuscinetti SKF - FAG



## Rotelle a Rulli Yoke track roller bearings



NUTR

Diam. Albero shaft Diameter	Sigla Designation	Peso Mass	Dimensioni - Dimensions							Basic Load Ratings		Limiting Speed
			d	D	B	C	d 1	r s	min.	Radial	Axial	
mm		g	mm							N		rpm
15	NUTR15	99	15	35	19	18	20	0.6	0.3	15	16.8	6500
	NUTR1542	158	15	42	19	18	20	0.6	0.3	18.1	21.9	6500
17	NUTR17	147	17	40	21	20	22	1	0.5	18.4	22.6	5500
	NUTR1747	220	17	47	21	20	22	1	0.5	21.3	28	5500
20	NUTR20	245	20	47	25	24	27	1	0.5	28	35	4200
	NUTR2052	321	20	52	25	24	27	1	0.5	31.5	41	4200
25	NUTR25	281	25	52	25	24	31	1	0.5	29	37.5	3400
	NUTR2562	450	25	62	25	24	31	1	0.5	35.5	50	3400
30	NUTR30	465	30	62	29	28	38	1	0.5	40	50	2600
	NUTR3072	697	30	72	29	28	38	1	0.5	47.5	64	2600
35	NUTR35	630	35	72	29	28	44	1.1	0.6	44.5	60	2100
	NUTR3580	838	35	80	29	28	44	1.1	0.6	51	72	2100
40	NUTR40	816	40	80	32	30	51	1.1	0.6	55	75	1600
	NUTR4090	1129	40	90	32	30	51	1.1	0.6	66	95	1600
45	NUTR45	883	45	85	32	30	55	1.1	0.6	56	78	1400
	NUTR45100	1396	45	100	32	30	55	1.1	0.6	71	107	1400
50	NUTR50	950	50	90	32	30	60	1.1	0.6	57	81	1300
	NUTR50110	1690	50	110	32	30	60	1.1	0.6	76	120	1300





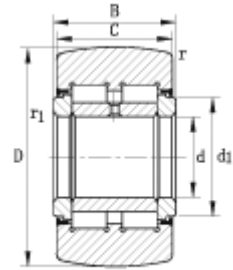
**MONDIALTECH**  
Forniture Industriali

Via Raimondo Dalla Costa 240/b  
41100 MODENA - ITALY  
Tel. +39 059 256090 Fax. +39 059 260883  
Codice R.E.A. 354046  
Partita IVA E. Codice Fiscale: 03061810366  
e-Mail: [monditecinfo@mondialtech.net](mailto:monditecinfo@mondialtech.net)  
Web: <http://www.mondialtech.net>

Vasto assortimento di Cuscinetti SKF - FAG

LK  
CSC  
MONDIAL

## Rotelle con contatto angolare Thrust angular contact ball bearings



PWTR...2RS

Diam.Albero Shaft Diameter	Sigla Designation	Peso Mass	Dimensioni - Dimensions						Basic Load Ratings		Limiting Speed	
			mm			min.	min.	N		rpm		
15	PWTR 15.2RS	99	15	35	19	18	20	0.6	0.3	11600	11300	6000
	PWTR 1542.2RS	158	15	42	19	18	20	0.6	0.3	13500	14100	6000
17	PWTR 17.2RS	147	17	40	21	21	22	1	0.5	13200	13800	5000
	PWTR 1747.2RS	220	17	47	21	21	22	1	0.5	14800	16400	5000
20	PWTR 20.2RS	245	20	47	25	24	27	1	0.5	23200	25500	3800
	PWTR 2052.2RS	321	20	52	25	24	27	1	0.5	25500	29500	3800
25	PWTR 25.2RS	281	25	52	25	24	31	1	0.5	24200	28000	3800
	PWTR 2562.2RS	450	25	62	25	24	31	1	0.5	29000	36000	3800
30	PWTR 30.2RS	465	30	62	29	28	38	1	0.5	35000	39500	2200
	PWTR 3072.2RS	697	30	72	29	28	38	1	0.5	41000	49000	2200
35	PWTR 35.2RS	630	35	72	29	28	44	1.1	0.6	38500	46500	1800
	PWTR 3580.2RS	838	35	80	29	28	44	1.1	0.6	43500	55000	1800
40	PWTR 40.2RS	816	40	80	32	30	51	1.1	0.6	44500	53000	1500
	PWTR 4090.2RS	1129	40	90	32	30	51	1.1	0.6	52000	66000	1500
45	PWTR 45.2RS	883	45	85	32	30	55	1.1	0.6	45000	55000	1300
	PWTR 45100.2RS	1396	45	100	32	30	55	1.1	0.6	56000	74000	1300
50	PWTR 50.2RS	950	50	90	32	30	60	1.1	0.6	45500	57000	1100
	PWTR 50110.2RS	1690	50	110	32	30	60	1.1	0.6	59000	82000	1100



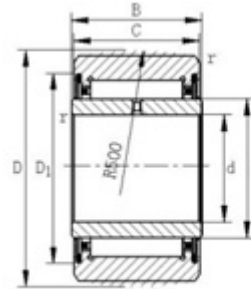
**MONDIALTECH**  
Forniture Industriali

Via Raimondo Dalla Costa 240/b  
41100 MODENA - ITALY  
Tel. +39 059 256090 Fax. +39 059 260883  
Codice R.E.A. 354046  
Partita IVA E. Codice Fiscale: 03061810366  
e-Mail: [mondialtech@mondialtech.net](mailto:mondialtech@mondialtech.net)  
Web: <http://www.mondialtech.net>

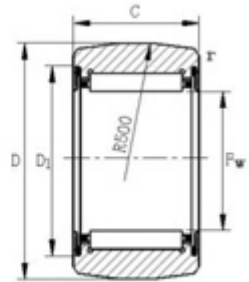
Vasto assortimento di Cuscinetti SKF - FAG

LK  
CSC  
MONDIAL

Rotelle a rullini  
Needle roller track roller  
bearings



NA22...2RS



RNA22...2RS

Diam.Estern Outside Diameter	Sigla Designation	Peso Mass	Sigla Designation	Peso Mass	Dimensioni - Dimensions								Basic Load Ratings		Limiting Speed
					d	D	C	B	Fw	F	E	r	r <sub>1</sub>	Radial	
mm		g		g	Mm								N		
30	RNA2200.2RS	52	NA2200.2RS	60	10	30	13.8	14	14	20	0.6	0.3	7000	8000	5500
32	RNA2201.2RS	57	NA2200.2RS	67	12	32	13.8	14	16	22	0.6	0.3	7500	9000	4700
35	RNA2202.2RS	60	NA2200.2RS	75	15	35	13.8	14	20	26	0.6	0.3	7600	9500	3400
40	RNA2203.2RS	94	NA2200.2RS	112	17	40	15.8	16	22	28	1	0.3	9900	13700	3000
47	RNA2204.2RS	152	NA2200.2RS	177	20	47	17.8	18	25	33	1	0.3	15200	18300	2300
52	RNA2205.2RS	179	NA2200.2RS	209	25	52	17.8	18	30	38	1	0.3	15700	20000	1800
62	RNA2206.2RS	284	NA2200.2RS	324	30	62	19.8	20	35	43	1	0.6	18400	25500	1400
72	RNA2207.2RS	432	NA2200.2RS	505	35	72	22.7	23	42	50	1.1	0.6	23000	35500	1100
80	RNA2208.2RS	530	NA2200.2RS	628	40	80	22.7	23	48	57	1.1	0.6	27500	40500	850
85	RNA2209.2RS	545	NA2200.2RS	655	45	85	22.7	23	52	62	1.1	0.6	28500	43000	800
90	RNA2210.2RS	563	NA2200.2RS	690	50	90	22.7	23	58	68	1.1	0.6	28000	42500	650





**MONDIALTECH**  
Forniture Industriali

Via Raimondo Dalla Costa 240/b  
41100 MODENA - ITALY  
Tel. +39 059 256090 Fax. +39 059 260883  
Codice R.E.A. 354046  
Partita IVA E. Codice Fiscale: 03661810366  
e-Mail: [mondialtech@mondialtech.net](mailto:mondialtech@mondialtech.net)  
Web: <http://www.mondialtech.net>

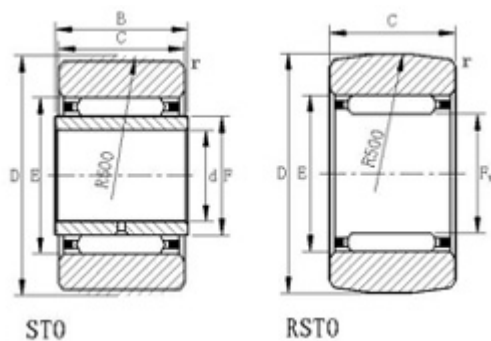
Vasto assortimento di Cuscinetti SKF - FAG

**LK**  
Prepared to Order

**CSC**  
Cuscinetti Standard

**MONDIAL**  
Cuscinetti a Rulli

Rotelle a Rulli  
Needle roller track roller  
bearings



Diam. Esterno Outside Diameter	Sigla Designation	Peso Mass	Sigla Designation	Peso Mass	Dimensioni - Dimensions							Basic Load Ratings		Limiting Speed
					d	D	C	B	Fw	F	E	r min.	Radial	
mm		g		g	mm							N		
16	RSTO5TN	8.5	--	--	-	16	7.8	--	7	10	0.3	2550	2550	16000
19	RSTO6TN	12.5	STO6TN	17	6	19	9.8	10	10	13	0.3	3750	4500	10000
24	RSTO8TN	21	STO8TN	26	8	24	9.8	10	12	15	0.3	4200	5500	8000
30	RSTO10	42	STO10	49	10	30	11.8	12	14	20	0.3	8400	9200	5500
32	RSTO12	49	STO12	57	12	32	11.8	12	16	22	0.3	8900	10100	4500
35	RSTO15	50	STO15	63	15	35	11.8	12	20	26	0.3	9100	10700	3300
40	RSTO17	88	STO17	107	17	40	15.8	16	22	29	0.3	14300	17700	2800
47	RSTO20	130	STO20	152	20	47	15.8	16	25	32	0.3	16200	21500	2400
52	RSTO25	150	STO25	177	25	52	15.8	16	30	37	0.3	16500	22900	1800
62	RSTO30	255	STO30	308	30	62	19.8	20	38	46	0.6	23300	35000	1300
72	RSTO35	375	STO35	441	35	72	19.8	20	42	50	0.6	25500	40000	1100
80	RSTO40	420	STO40	530	40	80	19.8	20	50	58	1	24000	39000	850
85	RSTO45	453	STO45	576	45	85	19.8	20	55	63	1	25500	43000	750
90	RSTO50	481	STO50	617	50	90	19.8	20	60	68	1	26000	46500	650



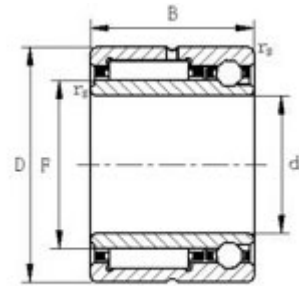
**MONDIALTECH**  
Forniture Industriali

Via Raimondo Dalla Costa 240/b  
41100 MODENA - ITALY  
Tel. +39 059 250090 Fax. +39 059 260083  
Codice R.E.A. 354046  
Partita IVA E. Codice Fiscale: 03061810366  
e-Mail: [mondialtech@mondialtech.net](mailto:mondialtech@mondialtech.net)  
Web: <http://www.mondialtech.net>

Vasto assortimento di Cuscinetti SKF - FAG

LK  
CSC  
MONDIAL

**Cuscinetti combinati a rullini  
Needle roller/angular contact ball  
bearings**



NKIA

Diam.Albero Shaft Diameter	Sigla Designation	Peso Mass	Dimensioni - Dimensions					Basic Load Ratings				Limiting Speed
			d	F	D	B	r min.	Radial		Axial		
								Cr	Cor	Cr	Cor	
mm			Mm					N				
12	NKIA5901	40	12	16	24	16	0.3	7.6	8.3	2.7	3.45	24000
15	NKIA5902	50	15	20	28	18	0.3	10.6	13.6	2.9	4.2	22000
17	NKIA5903	56	17	22	30	18	0.3	11	14.6	3.15	4.9	21000
20	NKIA5904	103	20	25	37	23	0.3	21	25.5	4.9	7.4	17000
25	NKIA5905	130	25	30	42	23	0.3	23.6	31.5	5.4	9.3	15000
30	NKIA5906	147	30	35	47	23	0.3	25	35.5	5.9	11.2	13000
35	NKIA5907	243	35	42	55	27	0.6	31.5	50	7.4	14.9	11000
40	NKIA5908	315	40	48	62	30	0.6	43	67	9.2	19.4	9500
45	NKIA5909	375	45	52	68	30	0.6	45	73	9.6	21.4	8500
50	NKIA5910	380	50	58	72	30	0.6	47	80	10.1	24.3	8500
55	NKIA5911	550	55	63	80	34	1	58	100	12.1	29.5	7500
60	NKIA5912	590	60	68	85	34	1	60	108	12.4	32	7000
65	NKIA5913	635	65	72	90	34	1	61	112	12.8	34	6500
70	NKIA5914	980	70	80	100	40	1	84	156	16.8	44.5	6000



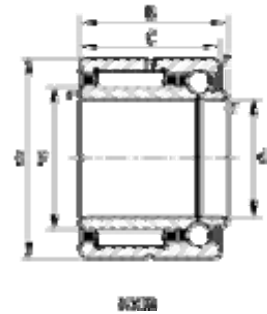
**MONDIALTECH**  
Forniture Industriali

Via Raimondo Dalla Costa 240/b  
41100 MODENA - ITALY  
Tel. +39 059 250090 Fax. +39 059 260083  
Codice R.E.A. 354046  
Partita IVA E. Codice Fiscale: 03061810366  
e-Mail: [mondialtech@mondialtech.net](mailto:mondialtech@mondialtech.net)  
Web: <http://www.mondialtech.net>

Vasto assortimento di Cuscinetti SKF - FAG

LK  
CSC  
MONDIAL

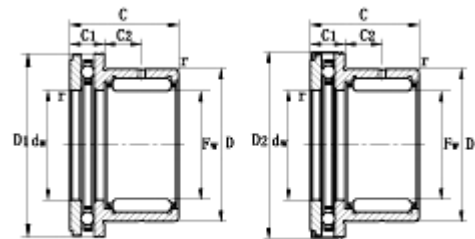
**Cuscinetti combinati a rullini  
Needle roller/angular contact ball  
bearings**



Diam.Albero Shaft Diameter	Sigla Designation	Peso Mass	Dimensioni Dimensions					Basic Load Ratings				Limiting Speed
			d	F	D	B	r min.	Radial		Axial		
		g						Cr	Cor	Cr	Cor	rpm
mm			Mm					N				
12	NKIB5901	40	12	16	24	16	0.3	7.6	8.3	2.7	3.45	24000
15	NKIB5902	50	15	20	28	18	0.3	10.6	13.6	2.9	4.2	22000
17	NKIB5903	56	17	22	30	18	0.3	11	14.6	3.15	4.9	21000
20	NKIB5904	103	20	25	37	23	0.3	21	25.5	4.9	7.4	17000
25	NKIB5905	130	25	30	42	23	0.3	23.6	31.5	5.4	9.3	15000
30	NKIB5906	147	30	35	47	23	0.3	25	35.5	5.9	11.2	13000
35	NKIB5907	243	35	42	55	27	0.6	31.5	50	7.4	14.9	11000
40	NKIB5908	315	40	48	62	30	0.6	43	67	9.2	19.4	9500
45	NKIB5909	375	45	52	68	30	0.6	45	73	9.6	21.4	8500
50	NKIB5910	380	50	58	72	30	0.6	47	80	10.1	24.3	8500
55	NKIB5911	550	55	63	80	34	1	58	100	12.1	29.5	7500
60	NKIB5912	590	60	68	85	34	1	60	108	12.4	32	7000
65	NKIB5913	635	65	72	90	34	1	61	112	12.8	34	6500
70	NKIB5914	980	70	80	100	40	1	84	156	16.8	44.5	6000



**Cuscinetti combinati a rullini**  
**Combined Needle Roller/axial ball Bearings**



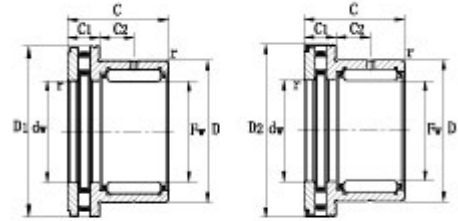
NKX

NKX..Z

Diam.Albero Shaft Diameter	Sigla Designation	Sigla con Anello Designation with Shield	Dimensioni - Dimensions										Basic Load Ratings				Limiting Speed
			F w	D	D 1	D 2	C	C 1	C 2	d w	r s	Radial		Axial		rpm	
					max.	max.	-0.25	-0.2		E8	min.	Cr	Cor	Cr	Cor		
mm			mm										KN				
10	NKX10TN	NKX10ZTN	10	19	24.1	25.2	23	9	6.5	10	0.3	6.2	7.8	10	14	12000	
12	NKX12	NKX12Z	12	21	26.1	27.2	23	9	6.5	12	0.3	9	11	10.3	15.4	11000	
15	NKX15	NKX15Z	15	24	28.1	29.2	23	9	6.5	15	0.3	10.7	12.7	10.5	16.8	9500	
17	NKX17	NKX17Z	17	26	30.1	31.2	25	9	8	17	0.3	11.9	15	10.8	18.2	8500	
20	NKX20	NKX20Z	20	30	35.1	36.2	30	10	10.5	20	0.3	16.4	23.8	14.3	24.7	7500	
25	NKX25	NKX25Z	25	37	42.1	43.2	30	11	9.5	25	0.6	18.8	30.5	19.6	37.5	6000	
30	NKX30	NKX30Z	30	42	47.1	48.2	30	11	9.5	30	0.6	22.6	36	20.4	42	5000	
35	NKX35	NKX35Z	35	47	52.1	53.2	30	12	9	35	0.6	24.3	41.5	21.2	47	4600	
40	NKX40	NKX40Z	40	52	60.1	61.2	32	13	10	40	0.6	26	47	27	63	4000	
45	NKX45	NKX45Z	45	58	65.2	66.5	32	14	9	45	0.6	27.5	53	28	69	3600	
50	NKX50	NKX50Z	50	62	70.2	71.5	35	14	10	50	0.6	38	74	29	75	3300	
60	NKX60	NKX60Z	60	72	85.2	86.5	40	17	12	60	1	42	90	41.5	113	2800	
70	NKX70	NKX70Z	70	85	95.2	96.5	40	18	11	70	1	44.5	92	43	127	2400	



**Cuscinetti combinati a rullini**  
**Combined Needle Roller/axial**  
**cylindrical roller bearings**



NKXR

NKXR\_Z

Diam.Albero Shaft Diameter	Sigla Designation	Sigla con Anello Designation with Shield	Dimensioni - Dimensions									Basic Load Ratings				Limiting Speed  rpm
			F	D	D 1	D 2	C	C 1	C 2	d	r	s	Radial		Axial	
			w		max.	max.	-0.25	-0.2		E8	min.	Cr	Cor	Cr	Cor	
mm			mm									N				
15	NKXR15	NKXR15Z	15	24	28.1	29.2	23	9	6.5	15	0.3	10.7	12.7	14.4	28.5	13000
17	NKXR17	NKXR17Z	17	26	30.1	31.2	25	9	8	17	0.3	11.9	15	15.9	33.5	12000
20	NKXR20	NKXR20Z	20	30	35.1	36.2	30	10	10.5	20	0.3	16.4	23.8	24.9	53	10000
25	NKXR25	NKXR25Z	25	37	42.1	43.2	30	11	9.5	25	0.6	18.8	30.5	33.5	76	8500
30	NKXR30	NKXR30Z	30	42	47.1	48.2	30	11	9.5	30	0.6	22.6	36	35.5	86	7500
35	NKXR35	NKXR35Z	35	47	52.1	53.2	30	12	9	35	0.6	24.3	41.5	39	101	6500
40	NKXR40	NKXR40Z	40	52	60.1	61.2	32	13	10	40	0.6	26	47	56	148	6000
45	NKXR45	NKXR45Z	45	58	65.2	66.5	32	14	9	45	0.6	27.5	53	59	163	5000
50	NKXR50	NKXR50Z	50	62	70.2	71.5	35	14	10	50	0.6	38	74	61	177	4800



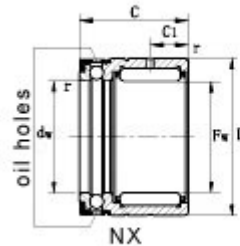
**MONDIALTECH**  
Forniture Industriali

Via Raimondo Dalla Costa 240/b  
41100 MODENA - ITALY  
Tel. +39 059 256090 Fax. +39 059 260883  
Codice R.E.A. 354046  
Partita IVA E. Codice Fiscale: 03661810366  
e-Mail: [mondialtech@mondialtech.net](mailto:mondialtech@mondialtech.net)  
Web: <http://www.mondialtech.net>

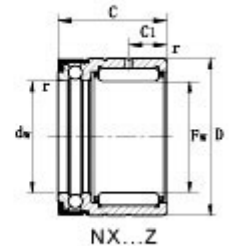
Vasto assortimento di Cuscinetti SKF - FAG

LK  
CSC  
MONDIAL

## Cuscinetti combinati a rullini Combined needle/axial ball bearings



(oil lubrication)



(grease lubrication)

Diam.Albero Shaft Diameter	Sigla - Designation		Dimensioni - Dimensions						Basic Load Ratings				Limiting Speed
	Oil Lubrication	Grease Lubrication	Fw	D	C ± 0.25	C1	d <sub>w</sub>	r <sub>s</sub> min.	Radial		Axial		
mm			mm						Cr	Cor	Cr	Cor	
			mm						N				
7	NX7TN	NX7ZTN	7	14	18	4.7	7	0.3	2.85	2.65	3.15	4.3	15000
10	NX10	NX10Z	10	19	18	4.7	10	0.3	4.45	3.7	4.6	7.2	11000
12	NX12	NX12Z	12	21	18	4.7	12	0.3	4.8	4.3	4.85	8.2	9500
15	NX15	NX15Z	15	24	28	8	15	0.3	10.7	12.7	5.6	10.4	8000
17	NX17	NX17Z	17	26	28	8	17	0.3	11.9	15	5.8	11.5	7500
20	NX20	NX20Z	20	30	28	8	20	0.3	13	17.5	7	14.7	6500
25	NX25	NX25Z	25	37	30	8	25	0.3	14.9	22.4	11.1	24.3	4900
30	NX30	NX30Z	30	42	30	10	30	0.3	22.6	36	11.7	28	4300
35	NX35	NX35Z	35	47	30	10	35	0.3	24.3	41.5	12.4	32.5	3700



**MONDIALTECH**

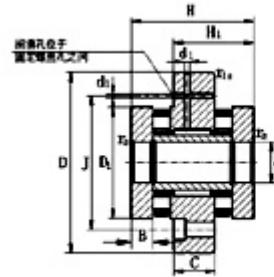
Forniture Industriali

Via Raimondo Dalla Costa 240/b  
41100 MODENA - ITALY  
Tel. +39 059 250090 Fax. +39 059 260083  
Codice R.E.A. 354046  
Partita IVA E. Codice Fiscale: 03061810366  
e-Mail: monditecinfo@mondialtech.net  
Web: http://www.mondialtech.net

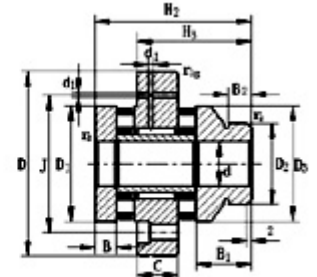


Vasto assortimento di Cuscinetti SKF - FAG

**Cuscinetti combinati  
radiali e assiali a  
rullini**  
**Combined needle  
roller/axial  
cylindrical roller  
bearings**



ZARF



ZARF...L

Diam. Albero Shaft Diameter	Sigla Designation	Sigla Designation	Dimensioni - Dimensions																	Basic Load Ratings				Limiting Speed	
			d	D	H	H 1	H 2	H 3	C	D 1	D 2	D 3	B	B 1	B c	Min. r s	r is	d 1	Radial Cr	Radial Cor	Axial Cr	Axial Cor	oil rpm	grease rpm	
mm			mm																						
15	ZARF1560TN	ZARF1560LTN	15	60	40	26	53	39	14	35	24	34	7.5	20.5	11	0.3	0.6	3.2	13	17.5	24.9	53	8500	2200	
17	ZARF1762TN	ZARF1762LTN	17	62	43	27.5	57	41.5	14	38	28	38	9	23	11	0.3	0.6	3.2	14	19.9	26	57	7800	2100	
20	ZARF2068TN	ZARF2068LTN	20	68	46	29	60	43	14	42	30	40	10	24	11	0.3	0.6	3.2	14.9	22.4	33.5	76	7000	2000	
	ZARF2080TN	ZARF2080LTN	20	80	60	38	75	53	18	52	40	50	12.5	27.5	11	0.3	0.6	3.2	22.6	36	64	141	6000	1500	
25	ZARF2575TN	ZARF2575LTN	25	75	50	33	65	48	18	47	36	45	10	25	11	0.3	0.6	3.2	22.6	36	33.5	86	6000	1900	
	ZARF2590TN	ZARF2590LTN	25	90	60	38	75	53	18	62	48	60	12.5	27.5	11	0.3	0.6	3.2	24.3	41.5	80	199	4900	1400	
30	ZARF3080TN	ZARF3080LTN	30	80	50	33	65	48	18	52	40	50	10	25	11	0.3	0.6	3.2	24.3	41.5	39	101	5500	1800	
	ZARF30105TN	ZARF30105LTN	30	105	66	41	82	57	18	68	52	66	14	30	12	0.3	0.6	3.2	26	47	107	265	4400	1300	
35	ZARF3590TN	ZARF3590LTN	35	90	54	35	70	51	18	60	45	58	11	27	12	0.3	0.6	3.2	26	47	56	148	4800	1700	
	ZARF35110TN	ZARF35110LTN	35	110	66	41	82	57	18	73	60	73	14	30	12	0.3	0.6	3.2	27.5	53	105	265	4000	1250	
40	ZARF40100TN	ZARF40100LTN	40	100	54	35	70	51	18	65	50	63	11	27	12	0.3	0.6	3.2	27.5	53	59	163	4400	1600	
	ZARF40115TN	ZARF40115LTN	40	115	75	47.5	93	65.5	22.5	78	60	78	16	34	12	0.3	0.6	6	38	74	117	315	3700	1200	
45	ZARF45105TN	ZARF45105LTN	45	105	60	40	75	55	22.5	70	56	68	11.5	26.5	12	0.3	0.6	6	38	74	61	177	4000	1500	
	ZARF45130TN	ZARF45130LTN	45	130	82	51	103	72	22.5	90	70	88	17.5	38.5	14	0.3	0.6	6	40	82	154	405	3300	1150	
50	ZARF50115TN	ZARF50115LTN	50	115	60	40	78	58	22.5	78	60	78	11.5	29.5	12	0.3	0.6	6	40	82	90	300	3600	1200	
	ZARF50140TN	ZARF50140LTN	50	140	82	51	103	72	22.5	95	75	93	17.5	38.5	14	0.3	0.6	6	42	90	172	480	3100	1100	
55	ZARF55145TN	ZARF55145LTN	55	145	82	51	103	72	22.5	100	80	98	17.5	38.5	14	0.3	0.6	6	44	98	177	500	2900	1000	
60	ZARF60150TN	ZARF60150LTN	60	150	82	51	103	72	22.5	105	90	105	17.5	38.5	16	0.3	0.6	6	44.5	92	187	550	2700	950	





**MONDIALTECH**

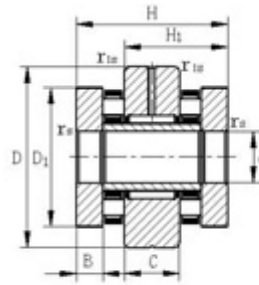
Forniture Industriali

Via Raimondo Dalla Costa 240/b  
41100 MODENA - ITALY  
Tel. +39 059 250090 Fax. +39 059 260083  
Codice R.E.A. 354046  
Partita IVA E. Codice Fiscale: 03061810366  
e-Mail: [mondialtech@mondialtech.net](mailto:mondialtech@mondialtech.net)  
Web: <http://www.mondialtech.net>

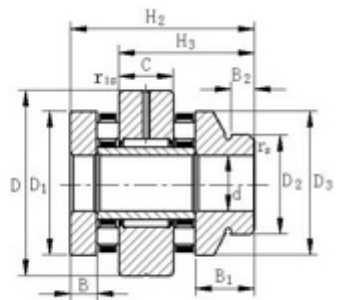
Vasto assortimento di Cuscinetti SKF - FAG



Cuscinetti combinati radiali e assiali a rullini Combined needle roller/axial cylindrical roller bearings



ZARN



ZARN...L

Diam. Albero Shaft Diameter	Sigla Designation	Sigla Designation	Dimensioni - Dimensions														Basic Load Ratings				Limiting Speed		
			d	D	H	H 1	H 2	H 3	C	D 1	D 2	D 3	B	B 1	B c	min. r s	r is mn.	Radial Cr	Radial Cor	Axial Cr	Axial Cor	oil rpm	grease rpm
mm			mm														KN						
15	ZARN1545TN	ZARN1545LTN	15	45	40	28	53	41	16	35	24	34	7.5	20.5	11	0.3	0.6	13	17.5	24.9	53	8500	2200
17	ZARN1747TN	ZARN1547LTN	17	47	43	29.5	57	43.5	16	38	28	38	9	23	11	0.3	0.6	14	19.9	26	57	7800	2100
20	ZARN2052TN	ZARN2052LTN	20	52	46	31	60	45	16	42	30	40	10	24	11	0.3	0.6	14.9	22.4	33.5	76	7000	2000
	ZARN2062TN	ZARN2062LTN	20	62	60	40	75	55	20	52	40	50	12.5	27.5	11	0.3	0.6	22.6	36	64	141	6000	1500
25	ZARN2557TN	ZARN2557LTN	25	57	50	35	65	50	20	47	36	45	10	25	11	0.3	0.6	22.6	36	33.5	86	6000	1900
	ZARN2572TN	ZARN2572LTN	25	72	60	40	75	55	20	62	48	60	12.5	27.5	11	0.3	0.6	24.3	41.5	80	199	4900	1400
30	ZARN3062TN	ZARN3062LTN	30	62	50	35	65	50	20	52	40	50	10	25	11	0.3	0.6	24.3	41.5	39	101	5500	1800
	ZARN3080TN	ZARN3080LTN	30	80	66	43	82	59	20	68	52	66	14	30	12	0.3	0.6	26	47	107	265	4400	1300
35	ZARN3570TN	ZARN3570LTN	35	70	54	37	70	53	20	60	45	58	11	27	12	0.3	0.6	26	47	56	148	4800	1700
	ZARN3585TN	ZARN3585LTN	35	85	66	43	82	59	20	73	60	73	14	30	12	0.3	0.6	27.5	53	105	265	4000	1250
40	ZARN4075TN	ZARN4075LTN	40	75	54	37	70	53	20	65	50	63	11	27	12	0.3	0.6	27.5	53	59	163	4400	1600
	ZARN4090TN	ZARN4090LTN	40	90	75	50	93	68	25	78	60	78	16	34	12	0.3	0.6	38	74	117	315	3700	1200
45	ZARN4580TN	ZARN4580LTN	45	80	60	42.5	75	57.5	25	70	56	68	11.5	26.5	12	0.3	0.6	38	74	61	177	4000	1500
	ZARN45105TN	ZARN45105LTN	45	105	82	53.5	103	74.5	25	90	70	88	17.5	38.5	14	0.3	0.6	40	82	154	405	3300	1150
50	ZARN5090TN	ZARN5090LTN	50	90	60	42.5	78	60.5	25	78	60	78	11.5	29.5	12	0.3	0.6	40	82	90	300	3600	1200
	ZARN50110TN	ZARN50110LTN	50	110	82	53.5	103	74.5	25	95	75	93	17.5	38.5	14	0.3	0.6	42	90	172	480	3100	1100
55	ZARN55115TN	ZARN55115LTN	55	115	82	53.5	103	74.5	25	1	80	98	17.5	38.5	14	0.3	0.6	44	98	177	500	2900	1000
60	ZARN60120TN	ZARN60120LTN	60	120	82	53.5	103	74.5	25	105	90	105	17.5	38.5	16	0.3	0.6	44.5	92	187	550	2700	950





**MONDIALTECH**

Forniture Industriali

Via Raimondo Dalla Costa 240/b  
41100 MODENA - ITALY  
Tel. +39 059 256090 Fax. +39 059 260883  
Codice R.E.A. 354046  
Partita IVA E. Codice Fiscale: 03661810366  
e-Mail: [mondialtech@mondialtech.net](mailto:mondialtech@mondialtech.net)  
Web: <http://www.mondialtech.net>

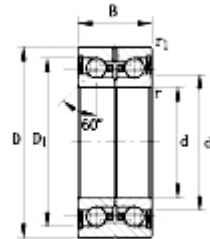
LK  
Prepared to Order

CSC  
Crucial Seal

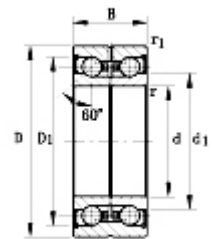
MONDIAL  
Caterpillar Ball

Vasto assortimento di Cuscinetti SKF - FAG

Cuscinetti assiali a sfere a contatto obliquo  
Axial angular contact ball bearings



ZKLN...2RS



ZKLN...ZZ

Diam.Albero Shaft Diameter	Sigla Designation	Peso Mass	Dimensioni - Dimensions							Basic Load Limiting Ratings Speed		
			g	d	D	B -0.25	d 1	D 1	r min.	r min.	Cr	Cor
mm			mm							N		
6	ZKLN0619.2Z	0.02	6	19	12	12	16.5	0.3	0.6	4.9	6.1	14000
	ZKLN0624.2RS	0.03	6	24	15	14	19.5	0.3	0.6	6.9	8.5	6800
8	ZKLN0624.2Z	0.03	6	24	15	14	19.5	0.3	0.6	6.9	8.5	1200
	ZKLN0832.2RS	0.09	8	32	20	19	26.5	0.3	0.6	12.5	16.3	5100
10	ZKLN0832.2Z	0.09	8	32	20	19	26.5	0.3	0.6	12.5	16.3	9500
	ZKLN1034.2RS	0.1	10	34	20	21	28.5	0.3	0.6	13.4	18.8	4600
12	ZKLN1034.2Z	0.1	10	34	20	21	28.5	0.3	0.6	13.4	18.8	8600
	ZKLN1242.2RS	0.2	12	42	25	25	33.5	0.3	0.6	17	24.7	3800
15	ZKLN1242.2Z	0.2	12	42	25	25	33.5	0.3	0.6	17	24.7	7600
	ZKLN1545.2RS	0.21	15	45	25	28	36	0.3	0.6	14.4	18.3	3500
17	ZKLN1545.2Z	0.21	15	45	25	28	36	0.3	0.6	14.4	18.3	7000
	ZKLN17.47.2RS	0.22	17	47	25	30	38	0.3	0.6	15.1	20.4	3300
20	ZKLN17.47.2Z	0.22	17	47	25	30	38	0.3	0.6	15.1	20.4	6600
	ZKLN2052.2RS	0.31	20	52	28	34.5	44	0.3	0.6	20.8	30.5	3000
25	ZKLN2052.2Z	0.31	20	52	28	34.5	44	0.3	0.6	20.8	30.5	5400
	ZKLN2557.2RS	0.34	25	57	28	40.5	49	0.3	0.6	22.1	36	2600
30	ZKLN2557.2Z	0.34	25	57	28	40.5	49	0.3	0.6	22.1	36	4700
	ZKLN3062.2RS	0.39	30	62	28	45.5	54	0.3	0.6	23.4	41.5	2200
35	ZKLN3062.2Z	0.39	30	62	28	45.5	54	0.3	0.6	23.4	41.5	4300
	ZKLN3572.2RS	0.51	35	72	34	52	63	0.3	0.6	33	58	2000
40	ZKLN3572.2Z	0.51	35	72	34	52	63	0.3	0.6	33	58	3800
	ZKLN4075.2RS	0.61	40	75	34	58	68	0.3	0.6	34.5	66	1800
50	ZKLN4075.2Z	0.61	40	75	34	58	68	0.3	0.6	34.5	66	3300
	ZKLN5090.2RS	0.88	50	90	34	72	82	0.3	0.6	37.5	82	1500
60	ZKLN5090.2Z	0.88	50	90	34	72	82	0.3	0.6	37.5	82	3000
	ZKLN60110.2Z	2.2	60	110	45	85	100	0.6	0.6	68	140	2400
70	ZKLN70120.2Z	2.4	70	120	45	95	110	0.6	0.6	88	241	2800
80	ZKLN80130.2Z	2.7	80	130	45	105	120	0.6	0.6	91	265	2700
90	ZKLN90150.2Z	4.5	90	150	55	120	138	0.6	0.6	135	395	2300
100	ZKLN100160.2Z	4.9	100	160	55	132	150	0.6	0.6	140	435	2150



**MONDIALTECH**

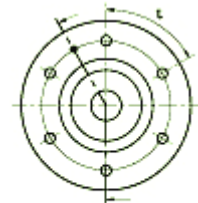
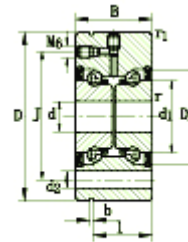
Forniture Industriali

Via Raimondo Dalla Costa 240/b  
41100 MODENA - ITALY  
Tel. +39 059 250090 Fax: +39 059 240083  
Codice R.E.A. 354046  
Partita IVA E. Codice Fiscale: 03061810366  
e-Mail: [monditech@monditech.net](mailto:monditech@monditech.net)  
Web: <http://www.monditech.net>



Vasto assortimento di Cuscinetti SKF - FAG

**Cuscinetti assiali a sfere a contatto obliquo**  
**Axial angular contact ball bearings**



ZKLF...2RS

Diam.Albero Shaft Diameter	Sigla Designation	Peso Mass	Dimensioni - Dimensions											t	Basic Load Ratings		Limiting Speed		
			d	D	B	d1	D1	r	r1	J	d 2	b	l		Cr	Cor		grease	
mm		kg	mm												KN		min -1		
12	ZKLF1255.2RS	0.37	12	55	25	25	33.5	0.3	0.6	42	6.5	3	17	3×120°	M6	3	17	24.7	3800
12	ZKLF1255.2Z	0.37	12	55	25	25	33.5	0.3	0.6	42	6.5	3	17	3×120°	M6	3	17	24.7	7600
15	ZKLF1560.2RS	0.43	15	60	25	28	36	0.3	0.6	46	6.5	3	17	3×120°	M6	3	17.9	28	3500
15	ZKLF1560.2Z	0.43	15	60	25	23	12	0.3	0.6	46	6.5	3	17	3×120°	M6	3	17.9	28	7000
17	ZKLF1762.2RS	0.45	17	62	25	23	12	0.3	0.6	48	6.5	3	17	3×120°	M6	3	18.8	31	3300
17	ZKLF1762.2Z	0.45	17	62	25	25	14	0.3	0.6	48	6.5	3	17	3×120°	M6	3	18.8	31	6600
20	ZKLF2068.2RS	0.61	20	68	28	25	14	0.3	0.6	53	6.5	3	19	4×90°	M6	4	26	47	3000
20	ZKLF2068.2Z	0.61	20	68	28	30	16	0.3	0.6	53	6.5	3	19	4×90°	M6	4	26	47	5400
25	ZKLF2575.2RS	0.72	25	75	28	30	16	0.3	0.6	58	6.5	3	19	4×90°	M6	4	27.5	55	2600
25	ZKLF2575.2Z	0.72	25	75	28	32	20	0.3	0.6	58	6.5	3	19	4×90°	M6	4	27.5	55	4700
30	ZKLF3080.2RS	0.78	30	80	28	32	20	0.3	0.6	63	6.5	3	19	6×60°	M6	6	29	64	2200
30	ZKLF3080.2Z	0.78	30	80	28	34	23	0.3	0.6	63	6.5	3	19	6×60°	M6	6	29	64	4300
35	ZKLF3590.2RS	1.13	35	90	34	34	23	0.3	0.6	75	8.5	3	25	4×90°	M8	4	41	89	2000
35	ZKLF3590.2Z	1.13	35	90	34	40	25	0.3	0.6	75	8.5	3	25	4×90°	M8	4	41	89	3800
40	ZKLF40100.2RS	1.46	40	100	34	40	25	0.3	0.6	80	8.5	3	25	4×90°	M8	4	43	101	1800
40	ZKLF40100.2Z	1.46	40	100	34	45	32	0.3	0.6	80	8.5	3	25	4×90°	M8	4	43	101	3300
50	ZKLF50115.2RS	1.86	50	115	34	45	32	0.3	0.6	94	8.5	3	25	6×60°	M8	6	46.5	126	1500
50	ZKLF50115.2Z	1.86	50	115	34	50	40	0.3	0.6	94	8.5	3	25	6×60°	M8	6	46.5	126	3000
60	ZKLF60145.2Z	4.3	60	145	45	50	40	0.3	0.6	120	8.5	3	35	6×60°	M8	8	84	214	3000
70	ZKLF70155.2Z	4.9	70	155	45	59	45	0.3	0.6	130	8.5	3	35	8×45°	M8	8	88	241	2800
80	ZKLF80165.2Z	5.3	80	165	45	59	45	0.3	0.6	140	8.5	3	35	8×45°	M8	8	91	265	2700
90	ZKLF90190.2Z	8.7	90	190	55	64	50	0.3	0.6	165	10.5	3	45	8×45°	M10	8	135	395	2300
100	ZKLF100200.2Z	9.3	100	200	55	64	50	0.3	0.6	175	10.5	3	45	8×45°	M10	8	140	435	2150



**MONDIALTECH**

Forniture Industriali

Via Raimondo Dalla Costa 240/b  
41100 MODENA - ITALY  
Tel. +39 059 256090 Fax. +39 059 260883  
Codice R.E.A. 354046  
Partita IVA E. Codice Fiscale: 03661810366  
e-Mail: [mondialtech@mondialtech.net](mailto:mondialtech@mondialtech.net)  
Web: <http://www.mondialtech.net>

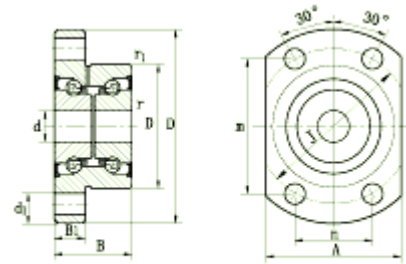
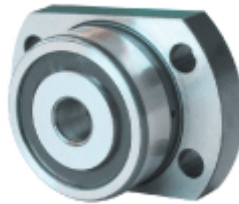
LK  
Prestigiato di Qualità

CSC  
Cuscinetti Standard

MONDIAL  
Cuscinetti a Sfera

Vasto assortimento di Cuscinetti SKF - FAG

**Cuscinetti assiali a sfere a contatto obliquo**  
**Axial angular contact ball bearings**



ZKLFA...ZZ

Diam.Albero Shaft Diameter	Sigla Designation	Peso Mass	Dimensioni - Dimensions												Basic Load Ratings		Limiting Speed
			d	D	B	D2	B1	J	d1	m	n	A		Cr	Cor	grease	
mm		kg	mm		min.										KN		rpm
6	ZKLFA0630.2Z	0.05	6	30	12	19	5	24	3.5	21	12	22	M3	4	3.95	4	14000
6	ZKLFA0640.2RS	0.08	6	40	15	24	6	32	4.5	27.5	16	27	M4	4	5.6	5.6	6800
6	ZKLFA0640.2Z	0.08	6	40	15	24	6	32	4.5	27.5	16	27	M4	4	5.6	5.6	1200
8	ZKLFA0850.2RS	0.17	8	50	20	32	8	40	5.5	34.5	20	35	M5	4	10.1	10.7	5100
8	ZKLFA0850.2Z	0.17	8	50	20	32	8	40	5.5	34.5	20	35	M5	4	10.1	10.7	9500
10	ZKLFA1050.2RS	0.18	10	50	20	32	8	40	5.5	34.5	20	35	M5	4	10.8	12.3	4600
10	ZKLFA1050.2Z	0.18	10	50	20	32	8	40	5.5	34.5	20	35	M5	4	10.8	12.3	8600
12	ZKLFA1263.2RS	0.3	12	63	25	42	10	53	6.5	46	26.5	45	M6	4	13.6	16.2	3800
12	ZKLFA1263.2Z	0.3	12	63	25	42	10	53	6.5	46	26.5	45	M6	4	13.6	16.2	7600
15	ZKLFA1563.2RS	0.31	15	63	25	42	10	53	6.5	46	26.5	45	M6	4	14.4	18.3	3500
17	ZKLFA1563.2Z	0.31	17	63	25	42	10	53	6.5	46	26.5	45	M6	4	14.4	18.3	7000



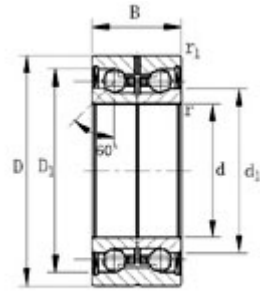
**MONDIALTECH**  
Forniture Industriali

Via Raimondo Dalla Costa 240/b  
41100 MODENA - ITALY  
Tel. +39 059 250090 Fax. +39 059 260083  
Codice R.E.A. 354046  
Partita IVA E. Codice Fiscale: 03061810366  
e-Mail: [mondialtech@mondialtech.net](mailto:mondialtech@mondialtech.net)  
Web: <http://www.mondialtech.net>

Vasto assortimento di Cuscinetti SKF - FAG

LK  
CSC  
MONDIAL

**Cuscinetti assiali a sfere a contatto obliquo**  
**Axial angular contact ball bearings**



ZKLN...2RS PE

Diam.Albero Shaft Diameter	Sigla Designation	Peso Mass	Dimensioni - Dimensions							Basic Load Ratings		Limiting Speed
			d	D	B	d <sub>1</sub>	D <sub>1</sub>	r	r	Cr	Cor	
mm		g	mm							N		
12	ZKLN1242.2RSPE	200	12	42	25	25	33.5	0.3	0.6	17000	24700	3800
15	ZKLN1545.2RSPE	210	15	45	25	28	36	0.3	0.6	17900	28000	3500
17	ZKLN1747.2RSPE	220	17	47	25	30	38	0.3	0.6	18800	31000	3300
20	ZKLN2052.2RSPE	310	20	52	28	34.5	44	0.3	0.6	26000	47000	3000
25	ZKLN2557.2RSPE	340	25	57	28	40.5	49	0.3	0.6	27500	55000	2600
30	ZKLN3062.2RSPE	390	30	62	28	45.5	54	0.3	0.6	29000	64000	2200
50	ZKLN5090.2RSPE	880	50	90	34	72	82	0.3	0.6	46500	126000	1500